

THIS IS
ICONIK

BY NAME AND BY DESIGN

The **ICONIK** is an advanced bifold system designed to deliver slimmer sightlines, larger glass panels, faster fabrication and simplified installation.

EXCEPTIONAL PERFORMANCE

Achieves low U-values of 0.9 (triple)* and 1.2 (double)* without foams through advanced interlock seals and increased compression in the corner mould.

A TRULY SCALABLE SYSTEM

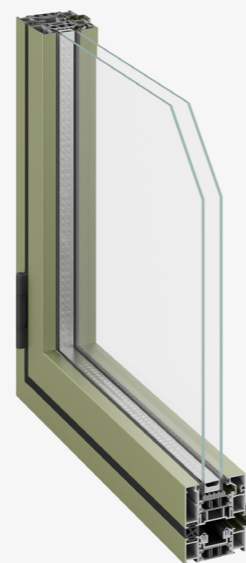
Create a bifold, a single or a double door, in either Slim or Standard with the same outerframe and components, and changing only the sash.

LESS PARTS AND STOCKHOLDING

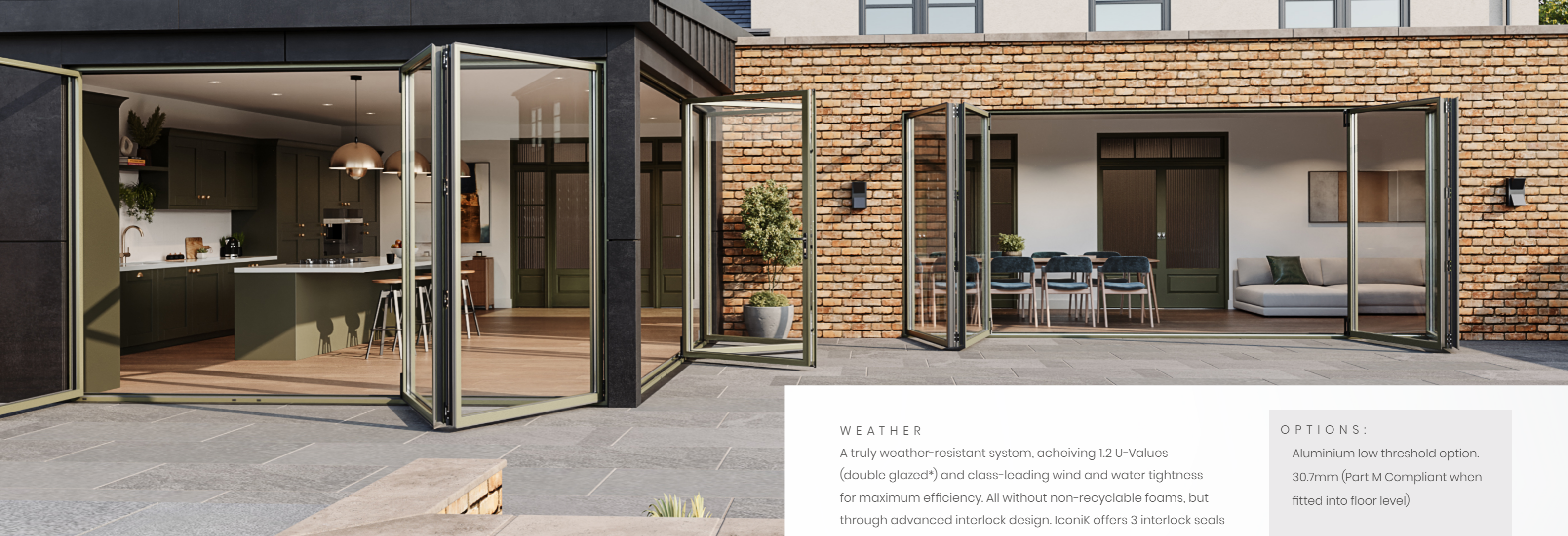
One gasket for the whole system, the same cleats for the sash and frame, and one lock for all configurations. All designed to speed up fabrication and slim down your stockholding.

FASTER INSTALLATION

With a 4mm tolerance, there is no need to measure the final panel, making Iconik faster to install than the competition. Added to this, the Quik Clip Bead clips into place securely in seconds for faster fitting.



* U-Value for Single & Double door



NEXT-GENERATION SYSTEM

MINIMAL AESTHETICS

This next-generation system features refined design allowing increased door height while maintaining an industry-leading minimal sightlines. The profile sightline has been further reduced to maximize glazing and light.

Slim, sophisticated hinges and rollers replace traditional heavy-duty components, and each roller is engineered to carry up to 130kg per panel, ensuring smooth and reliable operation. The use of half-rollers eliminates the need for a floating mullion, offering a cleaner look and uninterrupted sightlines when the doors are open.

And lastly, a non-handed lock and keep, with shootbolt locking available as an option, providing flexibility and security.



WEATHER

A truly weather-resistant system, achieving 1.2 U-Values (double glazed*) and class-leading wind and water tightness for maximum efficiency. All without non-recyclable foams, but through advanced interlock design. Iconik offers 3 interlock seals for advanced performance, creating an active air barrier and maximising water deflection.

Optional shootbolt locking for taller doors ensures weather performance in exposed areas.

OPERATION

A new half roller design means no floating mullion is needed, resulting in reduced sightlines and better thermal performance.

A captive top guide and positioning rail for the bogie helps to keep smooth operation of the door and improve safety on high doors, with standard rollers with HD capacity tested up to 130kg.

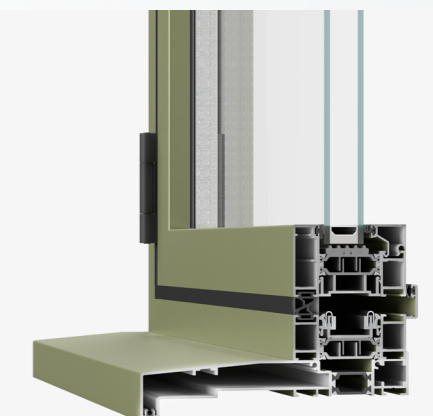


OPTIONS :

Aluminium low threshold option. 30.7mm (Part M Compliant when fitted into floor level)

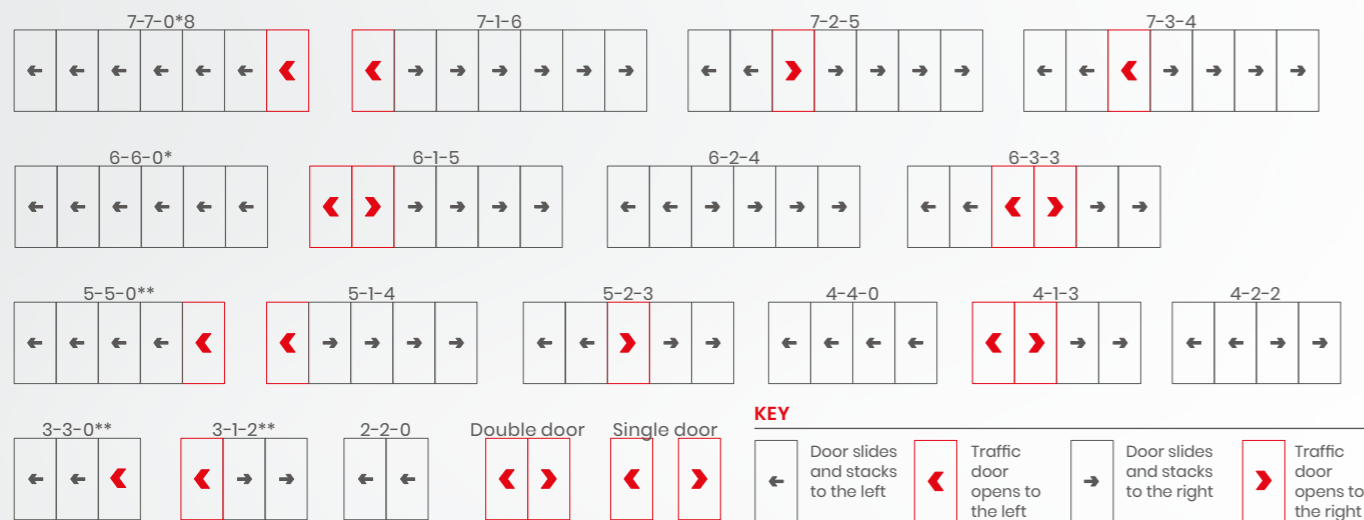
Integrated cills, developed with a new outerframe profile, reduce the sightline by clipping onto either side of the outerframe

New sub cills range introduced in widths 223mm, 148mm, and 93mm. Allows fitters to position the Iconik onto varying widths of constructions



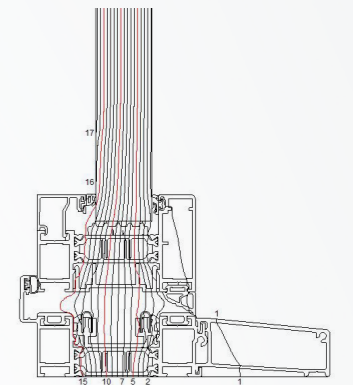
FEATURES AND CONFIGURATIONS

Thanks to the intelligent design of ICONIK, it allows not only the creation of a wide range of door configurations, but also a range of door options. Changing only the sash, you can create single doors, double doors, and folding doors, in both Slim and Standard versions, for a truly unified and comprehensive system. This offers added fabrication familiarity and design uniformity. Other key design features include the 110mm mid rail, which allows the creation of transoms with the standard sash.

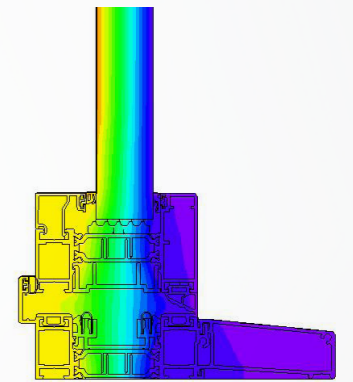


SPECIFICATIONS AND CROSS SECTIONS

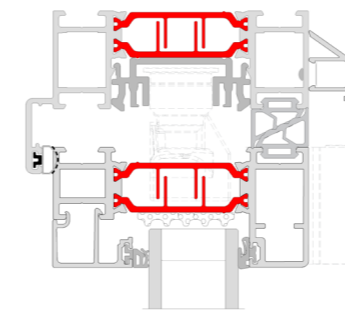
Performance* and accreditations	F80 SLIM BIFOLD	F80 STANDARD BIFOLD	F80 STANDARD SINGLE DOOR	F80 STANDARD DOUBLE DOOR
U-Value (Double Glazing) (Ug: 1.0 W/m²K)	1.3 W/m²K	1.3 W/m²K	1.2 W/m²K	1.2 W/m²K
U-Value (Triple Glazing) (Ug: 0.7 W/m²K)	1.0 W/m²K	1.0 W/m²K	0.9 W/m²K	0.9 W/m²K
Air Permeability (Standard Threshold)	Class 4 (300 Pa)	Class 4 (600 Pa)	Class 3 (600 Pa)	Class 3 (600 Pa)
Water Tightness (Standard Threshold)*	Class 5a (200 Pa)	Class 5a (200 Pa)	Class 5a (200 Pa)	Class 5a (200 Pa)
Wind Resistance	Class C3 (1200 Pa)	Class C3 (1200 Pa)	Class C3 (1200 Pa)	Class C3 (1200 Pa)
Security	PAS 24	PAS 24	PAS 24	PAS 24
Cycle Testing Primary Leaf BS 6375	50,000	50,000	-	50,000
Secondary Leaf (10% of Primary) BS 6375-2	5,000	5,000	5,000	5,000
System				
Depth	80mm	80mm	80mm	80mm
Configurations				
Opening	Open-In & Open-Out	Open-In & Open-Out	Open-In & Open-Out	Open-In & Open-Out
Size and weight limits				
Max Leaf Height	2400mm std / 3000mm**	2400mm std / 3000mm**	2400mm std	2400mm std
Max Leaf Width	1200mm	1200mm	1200mm	1200mm
Max Vent Weight	130kg	130kg	130kg	130kg
Glazing				
Glazing Options	Clip Bead	Clip Bead	Clip Bead	Clip Bead
Glazing Thickness	24mm-46mm	24mm-46mm	24mm-46mm	24mm-46mm
System Features				
Single Colour	✓	✓	✓	✓
Dual Colour	✓	✓	✓	✓
Textured Finish	✓	✓	✓	✓
Anodised Finish	✓	✓	✓	✓
Multi-Point Locking	✓	✓	✓	✓



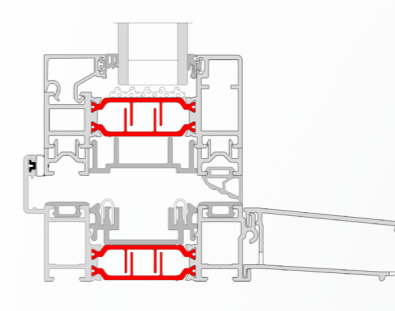
► F80 ISO THERMAL



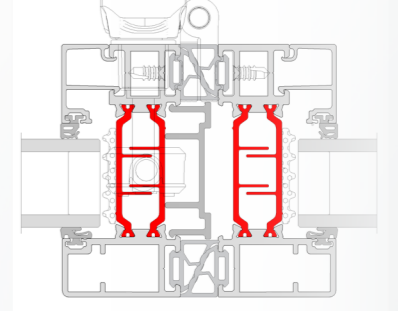
► F80 THERMAL PROFILE



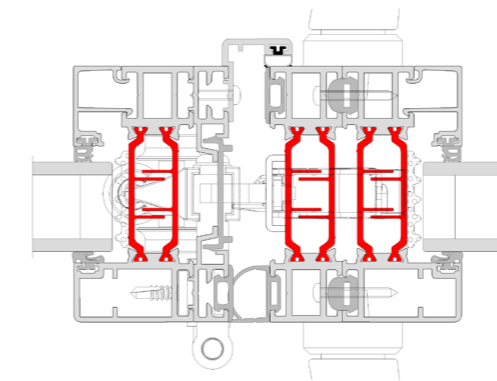
► F80 SLIM HEAD



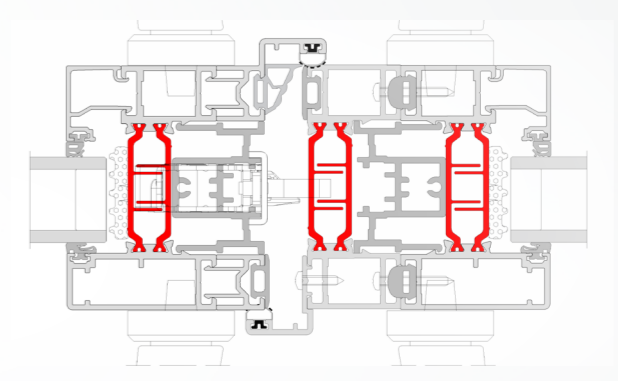
► F80 SLIM CILL



► F80 SLIM INTERLOCK



► F80 SLIM INTERLOCK - HALF ROLLER

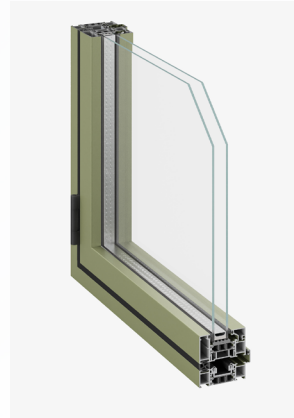


► F80 STANDARD FRENCH DOOR

SLIM OR STANDARD

Open up new opportunities with IconiK. Choose IconiK Slim for minimal sightlines and a premium features that discerning homeowners will love.

Choose IconiK Standard for equal slim sightlines across the whole system, and fewer profiles for faster fabrication.



IconiK Slim: 87mm Interlock

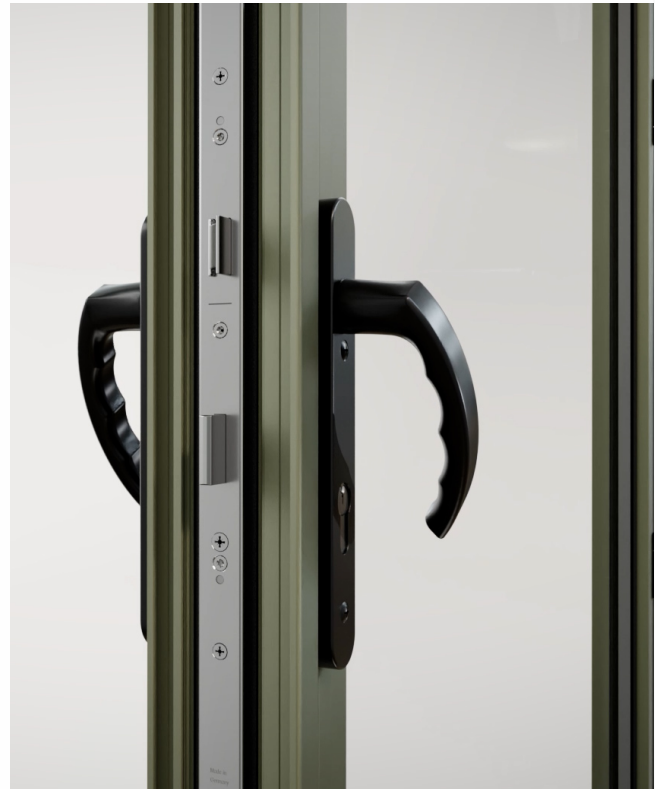


IconiK Slim: 110mm Interlock

LESS PARTS, LESS TIME

One lock for all configurations, one sash gasket, and the same corner cleats for both sash and frame help reduce stockholding and speed up fabrication time.

- Intelligent adjustable keeps allow you to adjust the latch position and shorten the lock's keep.
- Integral adjustment allows for solutions without adding a profile to the outer frame jam, keeping sightlines slim.
- Single screw on each side of the dual-alignment mechanical corner cleats halves the fabrication time and results in a better seal for added weather performance.



FINISHING TOUCHES

Slim and stylish lift and turn operating handle with anti-finger trap design. Ergonomically designed traffic door handle with moulded grip handle.

COLOUR OPTIONS

Chrome / White / Grey / Silver / Black



Scan here for more details

Visit: www.aluk.co.uk Call: 01291 639 739

ALUK, Newhouse Farm Ind Est, Chepstow, NP16 6UD