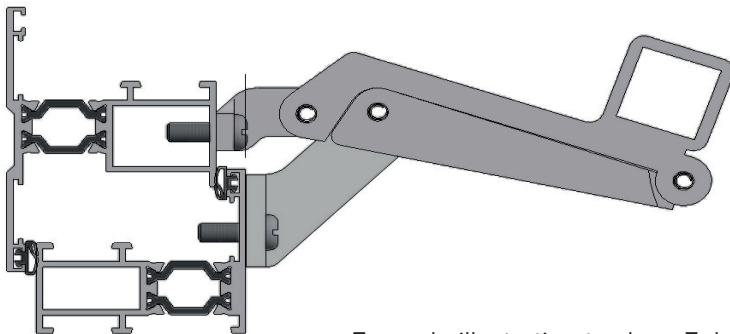


## FOLDING OPENER

Simple to use and robust, folding openers are particularly suitable for schools, hospitals, offices, care homes and sheltered housing.

The product offers secure locking and controlled ventilation in one simple operation.

The action of the folding opener ensures that the operating eye and tandem bar do not interfere with the cill boards. The position of its operating eye gives an extended arc making it ideal for hand operation.



Example illustration to show Folding Opener on an aluminium window

Tandem bars are available in the following lengths: 600mm, 800mm, 1000mm, 1600mm & 3000mm.



**For further assistance, call 01702 899440**

**[www.alu-tec.co.uk](http://www.alu-tec.co.uk)**

Fletchers Square, Temple Farm Industrial Estate, Southend-on-Sea, Essex SS2 5RN