



BIFOLD DOOR HANDLES - VARIOUS

Inside:

- Clearline Securifold Folding Door Handle
- T Handles

For further assistance, call 01702 899440

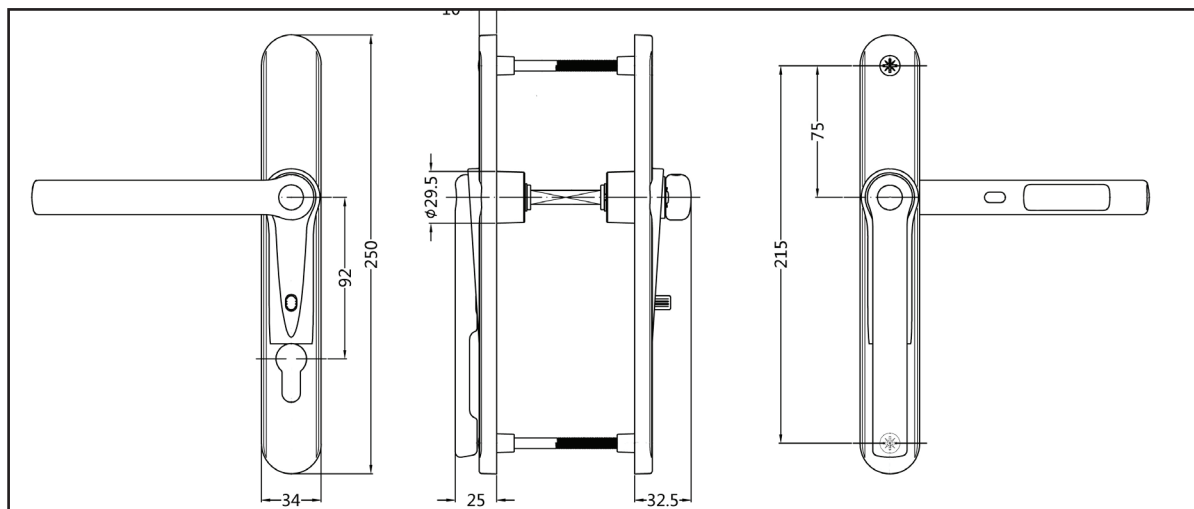
www.alu-tec.co.uk

Fletchers Square, Temple Farm Industrial Estate, Southend-on-Sea, Essex SS2 5RN

CLEARLINE SECURIFOLD FOLDING DOOR HANDLE

The Clearline SecuriFold door handle from greenteQ has been designed to allow the lever of the handle to fold down vertically when not in use, locating snugly against the backplate.

- Can be used on bi-folds and resi doors to prevent lever clashing against the wall
- Works with most multi-point 92PZ door locks on bi-fold and resi-doors
- Stands off profile by only 25mm in inactive position
- Levers fold vertically against backplate when not in use to allow neat stacking and provide clear sightlines through glass when closed
- Internal and external levers operate independently
- Top of lever pushes in to allow turn action
- Location peg holds the lever in place in inactive position to prevent handle rattle
- Identical screw centres to standard long backplate Alpha door handle
- Available as left handed or right handed and in white, anthracite grey, black, satin and polished chrome finishes



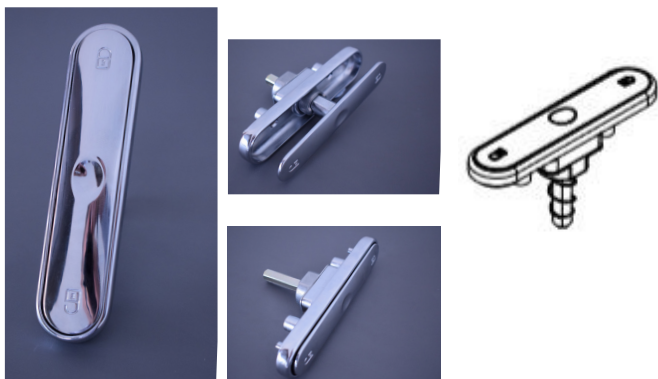
For further assistance, call 01702 899440

www.alu-tec.co.uk

Fletchers Square, Temple Farm Industrial Estate, Southend-on-Sea, Essex SS2 5RN

BIFOLD T HANDLES

T HANDLE



- ❖ Available in White, Silver, Black and Chrome

T LOCKING HANDLE



- ❖ Available in White, Silver, Black and Chrome

POP UP T HANDLE



- ❖ F82 Door Only
- ❖ Available in White, Silver and Black

For further assistance, call 01702 899440

www.alu-tec.co.uk

Fletchers Square, Temple Farm Industrial Estate, Southend-on-Sea, Essex SS2 5RN