

ALUMINIUM CASEMENT WINDOW SPECIFICATION SHEET



STEEL REPLACEMENT WINDOW

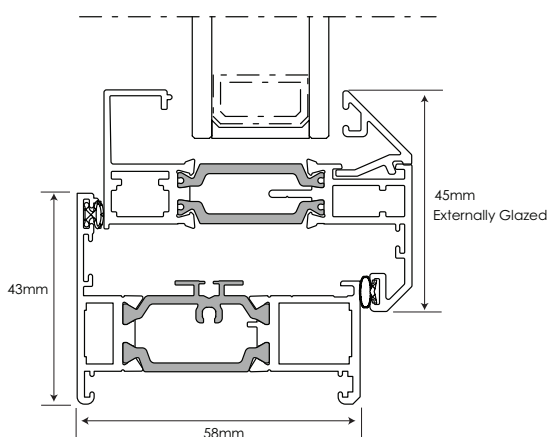
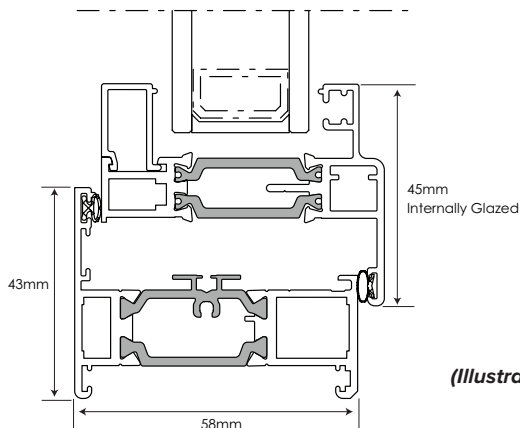
Manufactured in the UK from lightweight aluminium, these windows are ideal for period properties that currently have steel-framed glazing.

Designed to improve thermal and acoustic performance, these windows replicate the narrow sightlines that traditional steel windows provide.

SPECIFICATION:

Profile:	AluK Advanced Plus	Glazing	Int glazed - 28mm Square Bead Ext glazed - 28mm Bevel Bead
Outerframe:	AW604 - 58mm standard outerframe AW608 Heads when slot vents required	Bead:	
Sash:	AW686 - Internally glazed sash (must include dummy sashes) or AW690 - Externally glazed sash	Gasket:	5mm glazing wedge
Glazing:	28mm sealed unit	Hardware:	Yale hinges with high security shootbolt locking system
		Handle:	Alpha Greenteq locking handle
		Frame Extender:	20mm
		Cill Options:	95mm, 150mm or 190mm

The specification detailed above is specific to the Steel Replacement Window order form. If you require a different window specification, please use the standard Aluminium window order form found on our website.



For further assistance, call 01702 899440

www.alu-tec.co.uk

Fletchers Square, Temple Farm Industrial Estate, Southend-on-Sea, Essex SS2 5RN

STEEL REPLACEMENT WINDOW

These windows are our modern take on the old style steel framed glazing found in period properties. The lightweight aluminium profile with narrow sightlines replicates the slimmer frames from the early twentieth century era.

Offering a higher performance alternative to the traditional frame, our steel replacement windows are designed to improve thermal and acoustic performance, as well as providing a robust and low maintenance product.

With the added security benefits found with all our aluminium windows, this window is the perfect choice for modern living.



- Market leading lightweight Aluminium profile system
- Ideal sculptured option for the frame and vent profiles
- Windows can be specified to BFRC 'A' rating for energy efficiency
- Shootbolt multi-point locking hardware for enhanced security
- Available as top or side hung vents
- Integrated night vent position with option for trickle ventilation
- Double or triple glazing options
- Enhanced weather performance - profile is tested to hurricane force winds
- Complies with current building regulations
- Green guide 'A' rating for the aluminium profile
- Thermally broken profiles as standard with unique design to improve thermal performance
- Available in a variety of colours



WHY CHOOSE ALUMINIUM WINDOWS AND DOORS?

Aluminium windows and doors are the perfect upgrade for your home. The narrow profiles and slim sightlines can really make a difference to the look of your home.

Aluminium is lightweight, strong and regarded as one of the most sustainable building materials available. Security of your home is improved because of the strength of the material and there is no need to worry about warping or rust meaning our aluminium products are maintenance free.

For further assistance, call 01702 899440

www.alu-tec.co.uk

Fletchers Square, Temple Farm Industrial Estate, Southend-on-Sea, Essex SS2 5RN