

# ALUMINIUM CASEMENT WINDOW SPECIFICATION SHEET



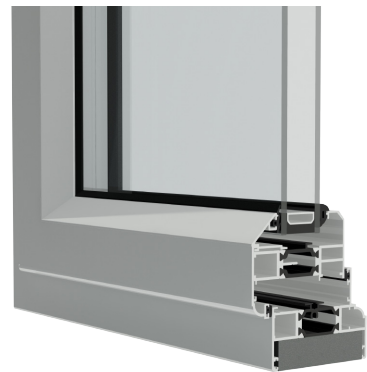
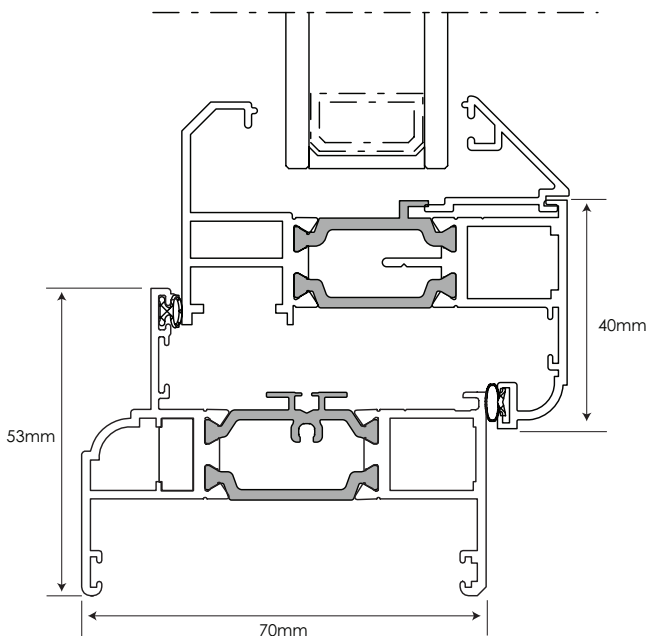
## OVOLO WINDOW

The Ovolo window offers you the featured appearance of a sculptured window and the high performance of the robust, strong aluminium profile. Manufactured in the UK the Ovolo window is a classic solution for your traditional property.

### SPECIFICATION:

<b>Profile:</b>	AluK Advanced Plus	<b>Gasket:</b>	5mm glazing wedge
<b>Outerframe:</b>	AW602 - 70mm standard outerframe AW607 Heads when slot vents required	<b>Hardware:</b>	Securistyle hinges with high security shootbolt locking system
<b>Sash:</b>	AW613 - Externally glazed sash	<b>Handle:</b>	Alpha Greenteq locking handle
<b>Glazing:</b>	28mm sealed unit	<b>Frame Extender:</b>	20mm
<b>Glazing Bead:</b>	28mm bevel bead	<b>Cill Options:</b>	95mm, 150mm or 190mm

The specification detailed above is specific to the Ovolo Window order form. If you require a different window specification, please use the standard Aluminium window order form found on our website.



For further assistance, call 01702 899440

[www.alu-tec.co.uk](http://www.alu-tec.co.uk)

Fletchers Square, Temple Farm Industrial Estate, Southend-on-Sea, Essex SS2 5RN

### OVOLO WINDOW

The traditional Ovolo window combines the timeless features of a sculptured frame with the modern performance of our aluminium windows.

Ground breaking technology provides your home with a classic, yet sustainable window solution and the elegant profile designs will complement the traditional look of your home.

Manufactured in the UK to the highest of standards, the Ovolo window is made from robust and reliable, strong aluminium providing you with a safe and secure home.



- Market leading lightweight Aluminium profile system
- Ideal sculptured option for the frame and vent profiles
- Windows can be specified to BFRC 'B' rating for energy efficiency
- Shootbolt multi-point locking hardware for enhanced security
- Available as top or side hung vents
- Integrated night vent position with option for trickle ventilation
- Double or triple glazing options
- Enhanced weather performance - profile is tested to hurricane force winds
- Complies with current building regulations
- Green guide 'A' rating for the aluminium profile
- Thermally broken profiles as standard with unique design to improve thermal performance
- Available in a variety of colours



#### WHY CHOOSE ALUMINIUM WINDOWS AND DOORS?

Aluminium windows and doors are the perfect upgrade for your home. The narrow profiles and slim sightlines can really make a difference to the look of your home.

Aluminium is lightweight, strong and regarded as one of the most sustainable building materials available. Security of your home is improved because of the strength of the material and there is no need to worry about warping or rust meaning our aluminium products are maintenance free.

**For further assistance, call 01702 899440**

[www.alu-tec.co.uk](http://www.alu-tec.co.uk)

Fletchers Square, Temple Farm Industrial Estate, Southend-on-Sea, Essex SS2 5RN