

### CHAMFERED WINDOW

The chamfered window is classic in design and perfect for homeowners wanting a traditional frame in appearance.

This stylish window is manufactured using sustainable, strong aluminium for improved thermal performance and security, and with added home safety features you can be assured that you have chosen the best solution for your home.

With a variety of coloured options to choose from, you really can complement the style of your home with your new windows.



- Windows can be specified to BFRC 'B' rating for energy efficiency
- Shootbolt multi-point locking hardware for enhanced security
- Double or triple glazing options
- Large frame head option to accommodate trickle ventilation
- Enhanced weather performance - profile is tested to hurricane force winds
- Complies with current building regulations
- Green guide 'A' rating for the aluminium profile
- Thermally broken profiles as standard with unique design to improve thermal performance
- Available in a variety of colours



#### WHY CHOOSE ALUMINIUM WINDOWS AND DOORS?

Aluminium windows and doors are the perfect upgrade for your home. The narrow profiles and slim sightlines can really make a difference to the look of your home.

Aluminium is strong and regarded as one of the most sustainable building materials available. Security of your home is improved because of the strength of the material and there is no need to worry about warping or rust meaning our aluminium products are durable and long-lasting.

**For further assistance, call 01702 899440**

[www.alu-tec.co.uk](http://www.alu-tec.co.uk)

Fletchers Square, Temple Farm Industrial Estate, Southend-on-Sea, Essex SS2 5RN

# ALUMINIUM CASEMENT WINDOW SPECIFICATION SHEET



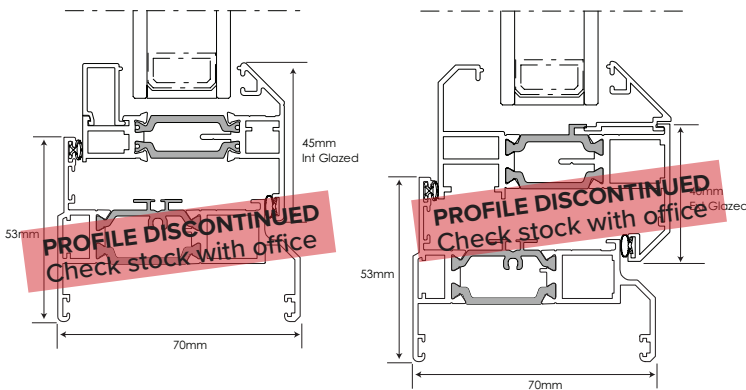
## CHAMFERED WINDOW

Ideal for homeowners who are looking for a traditional frame in appearance, our chamfered windows are manufactured using sustainable, strong aluminium for improved thermal performance and security.

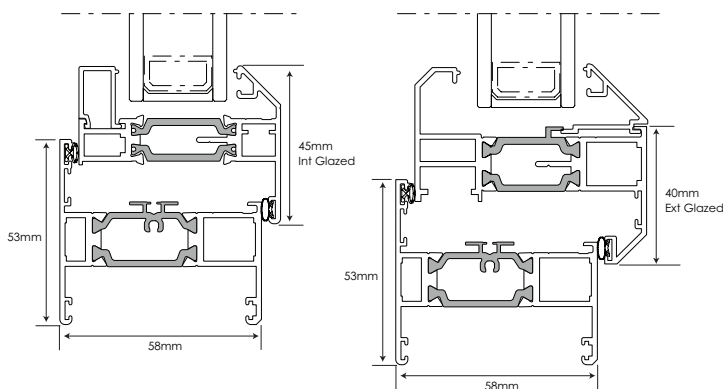
### SPECIFICATION:

<b>Profile:</b>	AluK Advanced Plus	<b>Glazing:</b>	28mm or 32mm sealed unit
<b>Outerframe:</b>	AW605 - 58mm standard outerframe / AW608 Heads when slot vents required or AW601 - 70mm standard outerframe AW606 Heads when slot vents required	<b>Glazing Bead:</b>	Int glazed - 28mm Square Bead only Ext glazed - 28mm or 32mm Square or Bevel Bead
<b>Sash:</b>	AW614 - Internally glazed putty line sash (fixtures require dummy sashes to keep internally glazed) or AW611 - Externally glazed sash	<b>Gasket:</b>	Glazing wedge
		<b>Hardware:</b>	Securistyle hinges with high security shootbolt locking system
		<b>Handle:</b>	Alpha Greenteq locking handle
		<b>Frame Extender:</b>	20mm or 40mm
		<b>Cill:</b>	95mm, 150mm or 190mm

The specification detailed above is specific to the Chamfered Window order form. If you require a different window specification, please use the standard Aluminium window order form found on our website.



(Illustrated right)



For further assistance, call 01702 899440

[www.alu-tec.co.uk](http://www.alu-tec.co.uk)

Fletchers Square, Temple Farm Industrial Estate, Southend-on-Sea, Essex SS2 5RN