



SLOT VENTS

Inside:

- Titon SF Xtra Aluminium Slot Ventilator
- Titon Trimvent Select S13 - 2000mm² and 4000mm²
- Gas Regulations Ventilator
- Titon Variglaze - Slim Glazed-In Ventilator

For further assistance, call 01702 899440

www.alu-tec.co.uk

Fletchers Square, Temple Farm Industrial Estate, Southend-on-Sea, Essex SS2 5RN



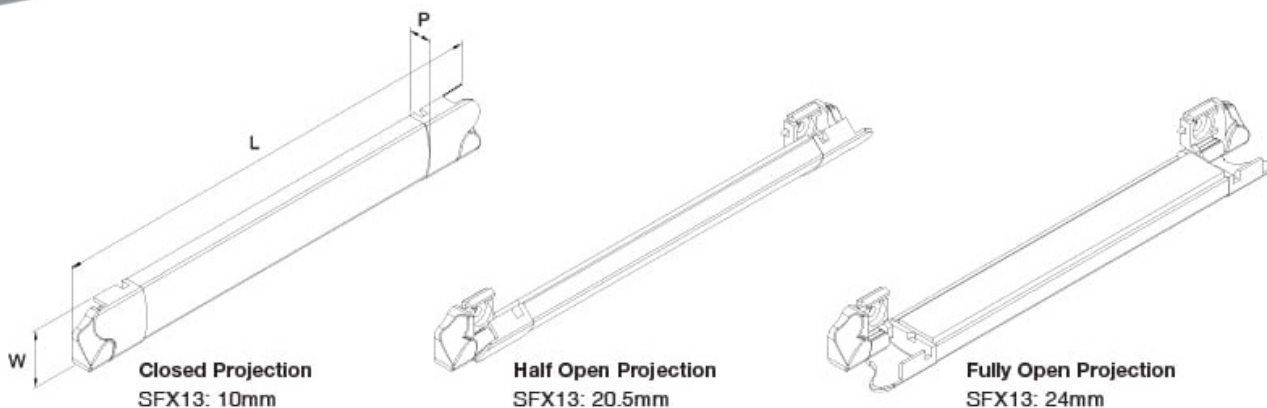
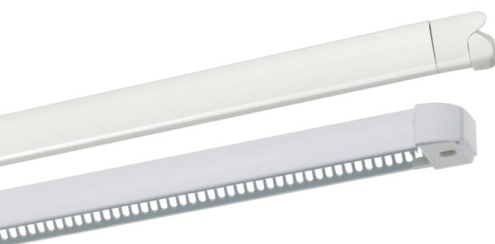
TITON SF XTRA 2500MM² AND 4000MM² ALUMINIUM SLOTVENTS

- Surface mounted aluminium slot ventilator
- High performance gasket combined with compression closing action improves sealing in adverse conditions
- Ideal for slim sections
- Ideal for retrofit applications
- Can be mounted to deflect air upwards or downwards
- Tested in accordance with BS EN 13141-1:2004



DIMENSIONS

2500mm ² SF Xtra	Ventilator	Canopy	4000mm ² SF Xtra	Ventilator	Canopy
Equivalent Area:	2500mm ²	2500mm ²	Equivalent Area:	4000mm ²	4000mm ²
Free Area:	2863mm ²	3775mm ²	Free Area:	4438mm ²	5423mm ²
Length (L):	294mm	318mm	Length (L):	434mm	418mm
Width (W):	23mm	23mm	Width (W):	23mm	23mm
Projection Closed-Open (P):	10-24mm	27mm	Projection Closed-Open (P):	10-24mm	27mm



For further assistance, call 01702 899440

www.alu-tec.co.uk

Fletchers Square, Temple Farm Industrial Estate, Southend-on-Sea, Essex SS2 5RN

TITON TRIMVENT SELECT S13 2000MM² AND 4000MM² SLOTVENTS

The Trimvent Select S13 is a surface mounted plastic slot ventilator that fits over a 13mm slot in a window and can deflect air up, down, or both.

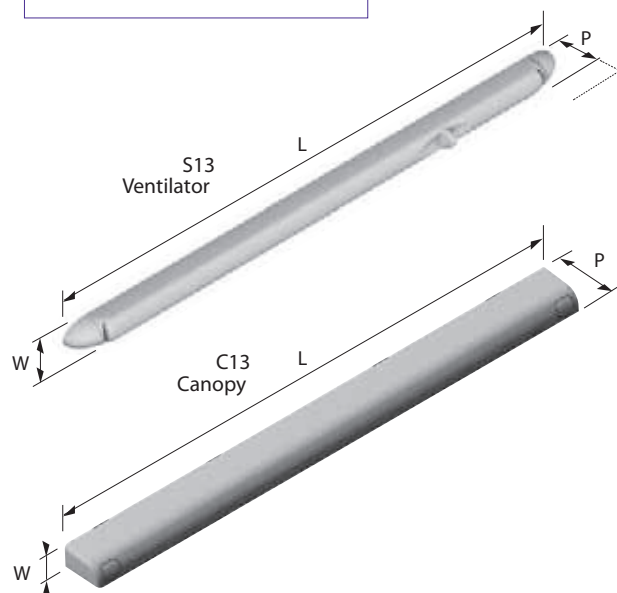
- Rounded unobtrusive shape
- Unique occupant controllable tilting T-bar
- Can be fitted on the sash, frame or overhead section
- Sculptured finger recess
- When specified correctly, complies with Building Regulations
- Available in White, Brown and Caramel finishes



DIMENSIONS

2000mm ² Trimvent	Ventilator	Canopy
Equivalent Area:	1700mm ²	1700mm ²
Free Area:	2212mm ²	2351mm ²
Length (L):	265mm	267mm
Width (W):	18.5mm	17mm
Projection Closed-Open (P):	20-26mm	24mm

4000mm ² Trimvent	Ventilator	Canopy
Equivalent Area:	2700mm ²	2700mm ²
Free Area:	4045mm ²	4278mm ²
Length (L):	411mm	412mm
Width (W):	18.5mm	17mm
Projection Closed-Open (P):	20-26mm	24mm



For further assistance, call 01702 899440

www.alu-tec.co.uk

Fletchers Square, Temple Farm Industrial Estate, Southend-on-Sea, Essex SS2 5RN

GAS REGULATIONS VENTILATOR

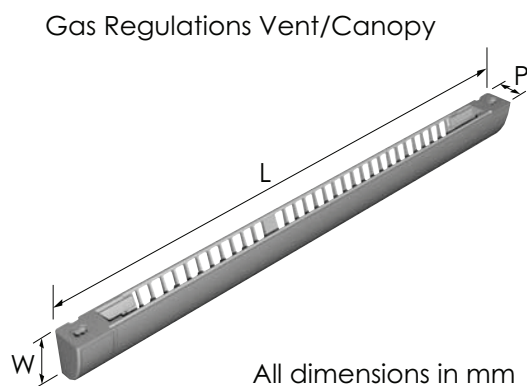
- Surface mounted over a 13mm or 16mm slot
- Integral screw covers for concealed fixing
- Three sizes available; one giving 4000mm² air opening for use with 7 to 15kW open flue boilers, another giving 7500mm² air opening for 15 to 22kW open flue boilers, and one giving 5000mm² for use with certain flueless appliances.
- Two ventilators supplied per pack (one fitted internally, one fitted externally)
- Supplied with warning label, screws and fixing instructions
- Available in white or brown finishes.



TECHNICAL SPECIFICATION

- ❖ Designed to comply with BS 5440 Part 2 “Specification for installation and maintenance of ventilation of gas appliances”
- ❖ Building Regulations Part J “Combustion appliances and fuel storage systems”

Product	L	W	P
4000GR	389	24	16.5
5000GR	475	24	16.5
7500GR	675	24	16.5



For further assistance, call 01702 899440

www.alu-tec.co.uk

Fletchers Square, Temple Farm Industrial Estate, Southend-on-Sea, Essex SS2 5RN

TITON VARIGLAZE - SLIM GLAZED-IN VENTILATOR

- ❖ Supplied made-to-measure or in bar length.
- ❖ Bar length for cutting to size by customer.
- ❖ Suitable for 20, 22, 24 or 28mm glass thicknesses.
- ❖ Aluminium or plastic canopy.
- ❖ Dual hardness flap gasket improves weather tightness.
- ❖ Minimal projection for inline patio doors.
- ❖ Thermally improved (not mill finish version).
- ❖ Available in Gas Regulations version.
- ❖ Patented design.



Variglaze



Over glass

PRODUCT SPECIFICATION

Material Specification:-

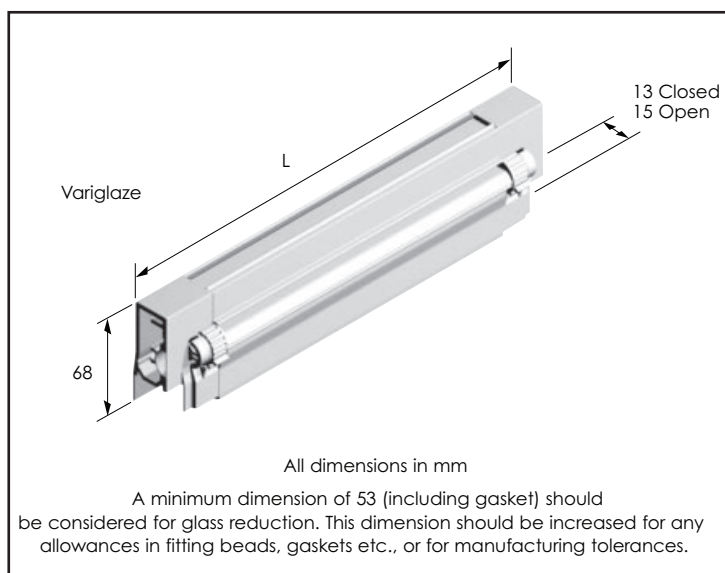
- Aluminium 6063 HIT T6 PVCu POM PBTP

Airflow:-

- 500mm Long
 2 Pa = 5.5m³/hr @ STP
 5 Pa = 12.2m³/hr@STP
 10Pa = 21.6m³/hr@STP

Performance Specification:-

- Tested in accordance with BS 6375 Part 1 - 1989
 "Performance of windows - classification for weathertightness".



For further assistance, call 01702 899440

www.alu-tec.co.uk

Fletchers Square, Temple Farm Industrial Estate, Southend-on-Sea, Essex SS2 5RN