



## SLOT VENTS

### Inside:

- Titon SF Xtra Aluminium Slot Ventilator
- Titon Trimvent Select S13 - 2000mm<sup>2</sup> and 4000mm<sup>2</sup>
- Gas Regulations Ventilator
- Titon Variglaze - Slim Glazed-In Ventilator
- Titon SF Xtra Sound Attenuator Vent
- Simons Acoustic SL (Slimline)

**For further assistance, call 01702 899440**

**[www.alu-tec.co.uk](http://www.alu-tec.co.uk)**

Fletchers Square, Temple Farm Industrial Estate, Southend-on-Sea, Essex SS2 5RN



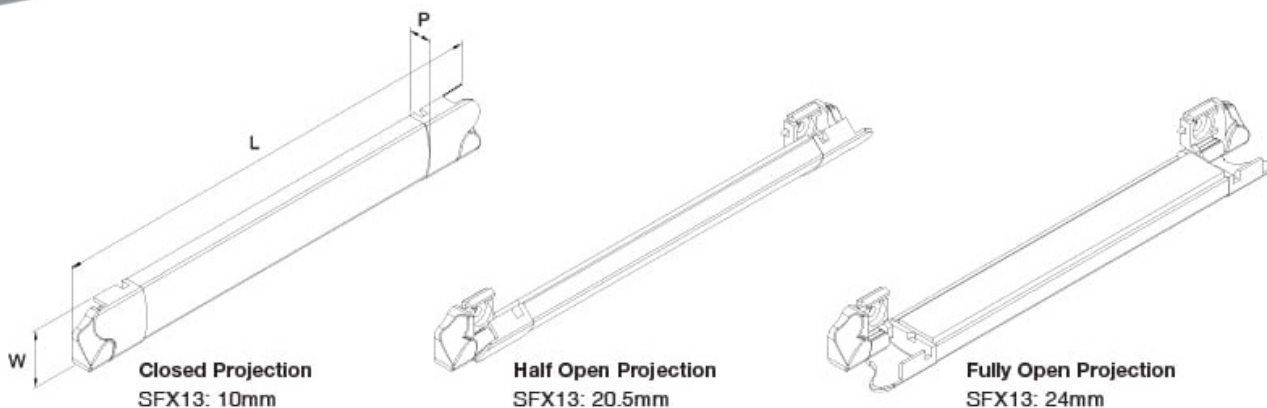
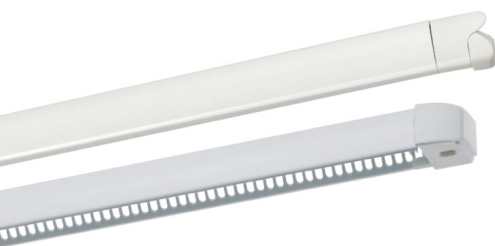
## TITON SF XTRA 2500MM<sup>2</sup> AND 4000MM<sup>2</sup> ALUMINIUM SLOTVENTS

- Surface mounted aluminium slot ventilator
- High performance gasket combined with compression closing action improves sealing in adverse conditions
- Ideal for slim sections
- Ideal for retrofit applications
- Can be mounted to deflect air upwards or downwards
- Tested in accordance with BS EN 13141-1:2004



### DIMENSIONS

2500mm <sup>2</sup> SF Xtra	Ventilator	Canopy	4000mm <sup>2</sup> SF Xtra	Ventilator	Canopy
Equivalent Area:	2500mm <sup>2</sup>	2500mm <sup>2</sup>	Equivalent Area:	4000mm <sup>2</sup>	4000mm <sup>2</sup>
Free Area:	2863mm <sup>2</sup>	3775mm <sup>2</sup>	Free Area:	4438mm <sup>2</sup>	5423mm <sup>2</sup>
Length (L):	294mm	318mm	Length (L):	434mm	418mm
Width (W):	23mm	23mm	Width (W):	23mm	23mm
Projection Closed-Open (P):	10-24mm	27mm	Projection Closed-Open (P):	10-24mm	27mm



For further assistance, call 01702 899440

[www.alu-tec.co.uk](http://www.alu-tec.co.uk)

Fletchers Square, Temple Farm Industrial Estate, Southend-on-Sea, Essex SS2 5RN



## TITON TRIMVENT SELECT S13 2000MM<sup>2</sup> AND 4000MM<sup>2</sup> SLOTVENTS

The Trimvent Select S13 is a surface mounted plastic slot ventilator that fits over a 13mm slot in a window and can deflect air up, down, or both.

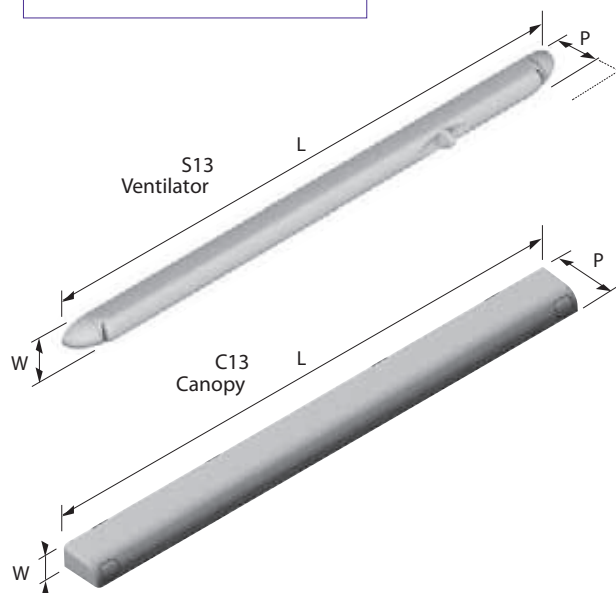
- Rounded unobtrusive shape
- Unique occupant controllable tilting T-bar
- Can be fitted on the sash, frame or overhead section
- Sculptured finger recess
- When specified correctly, complies with Building Regulations
- Available in a variety of colours to suit.



### DIMENSIONS

2000mm <sup>2</sup> Trimvent	Ventilator	Canopy
Equivalent Area:	1700mm <sup>2</sup>	1700mm <sup>2</sup>
Free Area:	2212mm <sup>2</sup>	2351mm <sup>2</sup>
Length (L):	265mm	267mm
Width (W):	18.5mm	17mm
Projection Closed-Open (P):	20-26mm	24mm

4000mm <sup>2</sup> Trimvent	Ventilator	Canopy
Equivalent Area:	2700mm <sup>2</sup>	2700mm <sup>2</sup>
Free Area:	4045mm <sup>2</sup>	4278mm <sup>2</sup>
Length (L):	411mm	412mm
Width (W):	18.5mm	17mm
Projection Closed-Open (P):	20-26mm	24mm



For further assistance, call 01702 899440

[www.alu-tec.co.uk](http://www.alu-tec.co.uk)

Fletchers Square, Temple Farm Industrial Estate, Southend-on-Sea, Essex SS2 5RN

## GAS REGULATIONS VENTILATOR

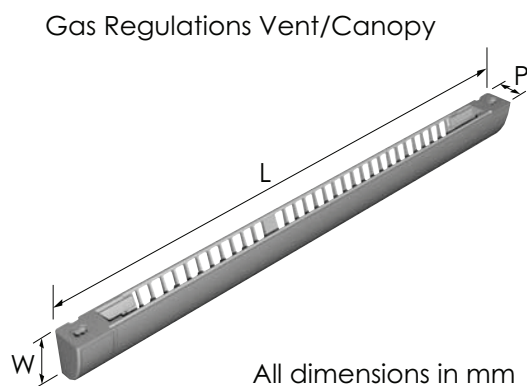
- Surface mounted over a 13mm or 16mm slot
- Integral screw covers for concealed fixing
- Three sizes available; one giving 4000mm<sup>2</sup> air opening for use with 7 to 15kW open flue boilers, another giving 7500mm<sup>2</sup> air opening for 15 to 22kW open flue boilers, and one giving 5000mm<sup>2</sup> for use with certain flueless appliances.
- Two ventilators supplied per pack (one fitted internally, one fitted externally)
- Supplied with warning label, screws and fixing instructions
- Available in white or brown finishes.



### TECHNICAL SPECIFICATION

- ❖ Designed to comply with BS 5440 Part 2 “Specification for installation and maintenance of ventilation of gas appliances”
- ❖ Building Regulations Part J “Combustion appliances and fuel storage systems”

Product	L	W	P
4000GR	389	24	16.5
5000GR	475	24	16.5
7500GR	675	24	16.5



**For further assistance, call 01702 899440**

[www.alu-tec.co.uk](http://www.alu-tec.co.uk)

Fletchers Square, Temple Farm Industrial Estate, Southend-on-Sea, Essex SS2 5RN

## TITON VARIGLAZE - SLIM GLAZED-IN VENTILATOR

- ❖ Supplied made-to-measure or in bar length.
- ❖ Bar length for cutting to size by customer.
- ❖ Suitable for 20, 22, 24 or 28mm glass thicknesses.
- ❖ Aluminium or plastic canopy.
- ❖ Dual hardness flap gasket improves weather tightness.
- ❖ Minimal projection for inline patio doors.
- ❖ Thermally improved (not mill finish version).
- ❖ Available in Gas Regulations version.
- ❖ Patented design.



Variglaze



Over glass

### PRODUCT SPECIFICATION

#### Material Specification:-

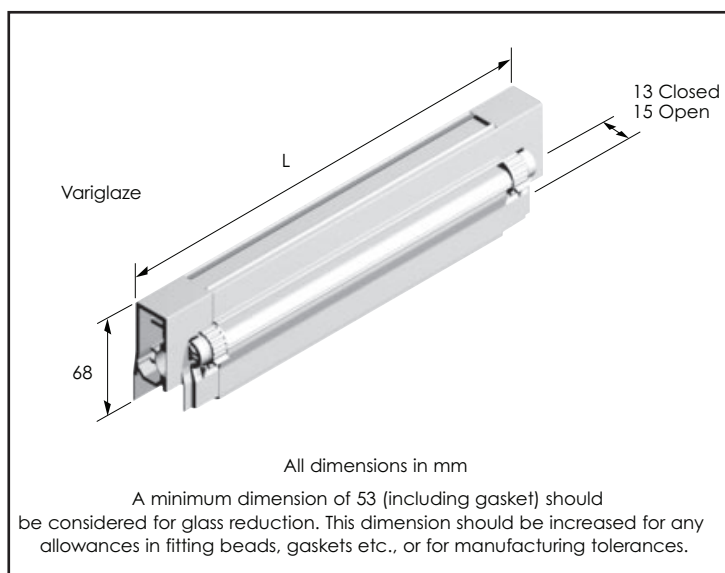
- Aluminium 6063 HIT T6 PVCu POM PBTP

#### Airflow:-

- 500mm Long  
 2 Pa = 5.5m<sup>3</sup>/hr @ STP  
 5 Pa = 12.2m<sup>3</sup>/hr@STP  
 10Pa = 21.6m<sup>3</sup>/hr@STP

#### Performance Specification:-

- Tested in accordance with BS 6375 Part 1 - 1989  
 "Performance of windows - classification for weathertightness".



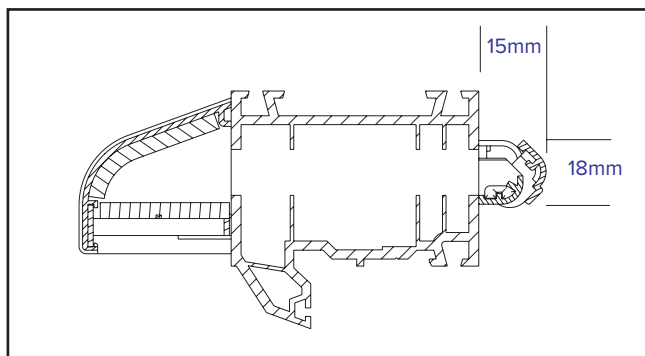
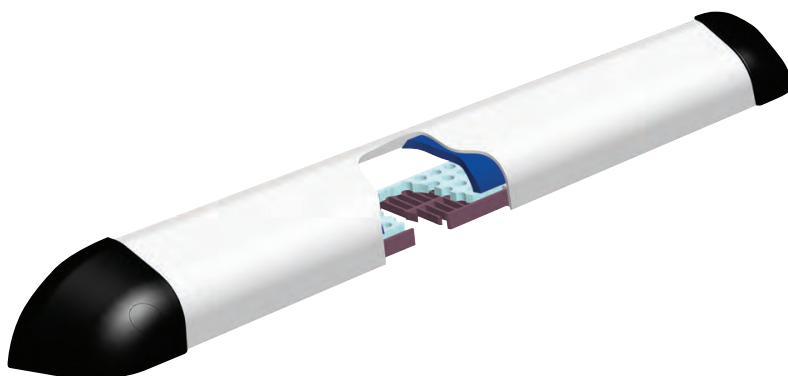
**For further assistance, call 01702 899440**

[www.alu-tec.co.uk](http://www.alu-tec.co.uk)

Fletchers Square, Temple Farm Industrial Estate, Southend-on-Sea, Essex SS2 5RN

## SIMON ACOUSTIC SL (SLIMLINE) VENT

- ❖ Manufactured from aluminium.
- ❖ 2500mm<sup>2</sup> Equivalent Area. 4080mm<sup>2</sup> Measured Area.
- ❖ Suitable for use in domestic or non-domestic installations
- ❖ Achieves sound reduction of 39dB closed and 33dB open
- ❖ Document F and Document E Building Regulation compliant.
- ❖ Can fit into sash profile



	dB Closed	dB Open	EA to BS13141-1	Measured Area <sup>mm<sup>2</sup></sup>	Dimensions Int	Dimensions Ext	Slot Size
Simon Acoustic SL	39	33	2967	4080	375 x 18	431 x 45	340 x 12

**For further assistance, call 01702 899440**

[www.alu-tec.co.uk](http://www.alu-tec.co.uk)

Fletchers Square, Temple Farm Industrial Estate, Southend-on-Sea, Essex SS2 5RN