



SLOT VENTS

Inside:

- Titon SF Xtra Aluminium Slot Ventilator
- Titon Trimvent Select S13 - 2000mm² and 4000mm²
- Gas Regulations Ventilator
- Titon Variglaze - Slim Glazed-In Ventilator
- Titon SF Xtra Sound Attenuator Vent
- Simons Acoustic SL (Slimline)

For further assistance, call 01702 899440

www.alu-tec.co.uk

Fletchers Square, Temple Farm Industrial Estate, Southend-on-Sea, Essex SS2 5RN



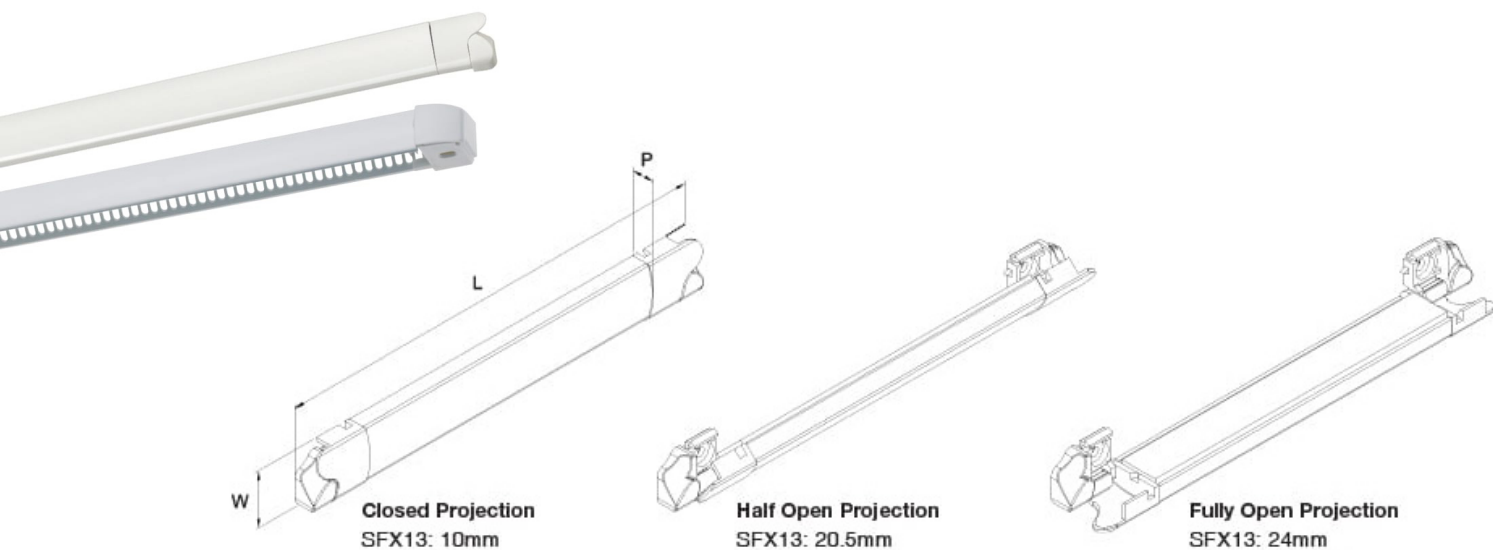
TITON SF XTRA 2500MM², 4000MM² AND 5000MM² ALUMINIUM SLOTVENTS

- Surface mounted aluminium slot ventilator
- High performance gasket combined with compression closing action improves sealing in adverse conditions
- Ideal for slim sections
- Ideal for retrofit applications
- Can be mounted to deflect air upwards or downwards
- Tested in accordance with BS EN 13141-1:2004



DIMENSIONS

	2500mm ² SF Xtra		4000mm ² SF Xtra		5000mm ² SF Xtra	
	Ventilator	Canopy	Ventilator	Canopy	Ventilator	Canopy
Equivalent Area:	2500mm ²	2500mm ²	4000mm ²	4000mm ²	5000mm ²	5000mm ²
Free Area:	2863mm ²	3775mm ²	4438mm ²	5423mm ²	4737mm ²	6763mm ²
Length (L):	294mm	318mm	434mm	418mm	465mm	441mm
Width (W):	23mm	23mm	23mm	23mm	23mm	24mm
Projection Closed-Open (P):	10-24mm	27mm	10-24mm	27mm	10-24mm	36.5mm



For further assistance, call 01702 899440

www.alu-tec.co.uk

Fletchers Square, Temple Farm Industrial Estate, Southend-on-Sea, Essex SS2 5RN

TITON TRIMVENT SELECT S13 2000MM² AND 4000MM² SLOTVENTS

The Trimvent Select S13 is a surface mounted plastic slot ventilator that fits over a 13mm slot in a window and can deflect air up, down, or both.

- Rounded unobtrusive shape
- Unique occupant controllable tilting T-bar
- Can be fitted on the sash, frame or overhead section
- Sculptured finger recess
- When specified correctly, complies with Building Regulations
- Available in a variety of colours to suit.

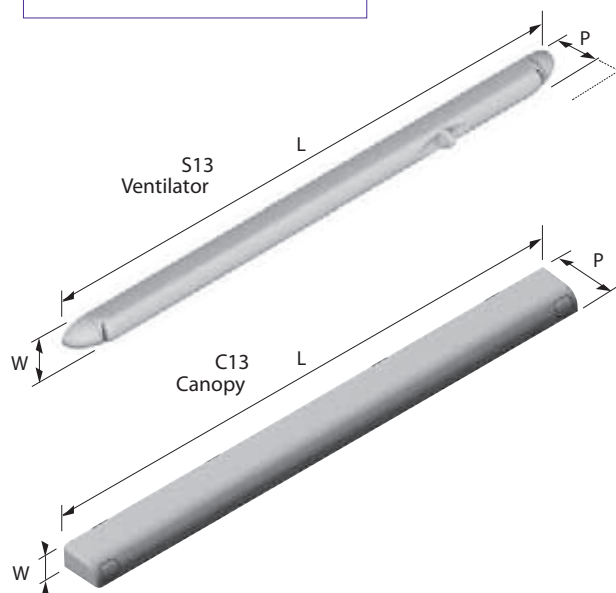


DISCONTINUED

DIMENSIONS

2000mm ² Trimvent	Ventilator	Canopy
Equivalent Area:	1700mm ²	1700mm ²
Free Area:	2212mm ²	2351mm ²
Length (L):	265mm	267mm
Width (W):	18.5mm	17mm
Projection Closed-Open (P):	20-26mm	24mm

4000mm ² Trimvent	Ventilator	Canopy
Equivalent Area:	2700mm ²	2700mm ²
Free Area:	4045mm ²	4278mm ²
Length (L):	411mm	412mm
Width (W):	18.5mm	17mm
Projection Closed-Open (P):	20-26mm	24mm



For further assistance, call 01702 899440

www.alu-tec.co.uk

Fletchers Square, Temple Farm Industrial Estate, Southend-on-Sea, Essex SS2 5RN

GAS REGULATIONS VENTILATOR

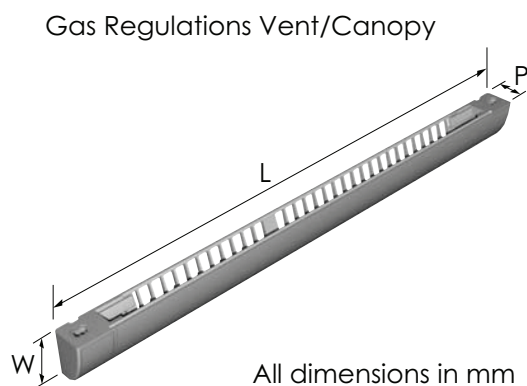
- Surface mounted over a 13mm or 16mm slot
- Integral screw covers for concealed fixing
- Three sizes available; one giving 4000mm² air opening for use with 7 to 15kW open flue boilers, another giving 7500mm² air opening for 15 to 22kW open flue boilers, and one giving 5000mm² for use with certain flueless appliances.
- Two ventilators supplied per pack (one fitted internally, one fitted externally)
- Supplied with warning label, screws and fixing instructions
- Available in white or brown finishes.



TECHNICAL SPECIFICATION

- ❖ Designed to comply with BS 5440 Part 2 “Specification for installation and maintenance of ventilation of gas appliances”
- ❖ Building Regulations Part J “Combustion appliances and fuel storage systems”

Product	Length	Width	Projection Closed-Open	Free Area (mm ²)
4000GR	389	24	17	4000
5000GR	475	24	17	5000



For further assistance, call 01702 899440

www.alu-tec.co.uk

Fletchers Square, Temple Farm Industrial Estate, Southend-on-Sea, Essex SS2 5RN

TITON VARIGLAZE - SLIM GLAZED-IN VENTILATOR

- ❖ Supplied made-to-measure or in bar length.
- ❖ Bar length for cutting to size by customer.
- ❖ Suitable for 20, 22, 24 or 28mm glass thicknesses.
- ❖ Aluminium or plastic canopy.
- ❖ Dual hardness flap gasket improves weather tightness.
- ❖ Minimal projection for inline patio doors.
- ❖ Thermally improved (not mill finish version).
- ❖ Available in Gas Regulations version.
- ❖ Patented design.



Variglaze



Over glass

PRODUCT SPECIFICATION

Equivalent Area (EA) (mm²) – 5400 per metre of extrusion*

Free Area (mm²) – 9650 per metre of extrusion*

(*extrusion length should be calculated as the overall length minus 78mm)

Air Leakage (m³/hr @ 50Pa) – 500mm overall length – 2.49

Water Resistance (Pa) – 300

Acoustic Dn,e,w (+/-) – 500mm overall length vent closed 48 (-1;-1), vent open 33 (0;-2)

Material Specification - Aluminium 6063 HIT T6
PVCu POM PBTP

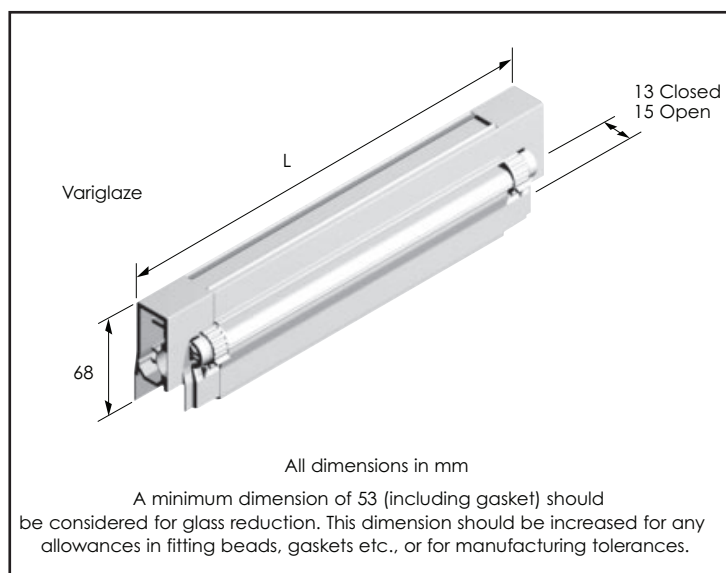
Airflow - 500mm Long

2 Pa = 5.5m³/hr @ STP

5 Pa = 12.2m³/hr@STP

10Pa = 21.6m³/hr@STP

Performance Specification - Tested in accordance with BS 6375 Part 1 - 1989 "Performance of windows - classification for weathertightness".



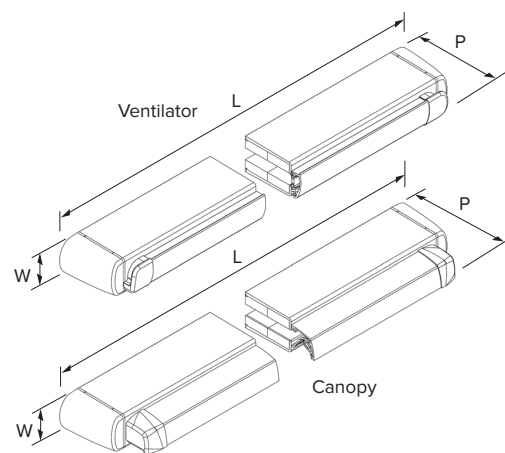
For further assistance, call 01702 899440

www.alu-tec.co.uk

Fletchers Square, Temple Farm Industrial Estate, Southend-on-Sea, Essex SS2 5RN

TITON XTRA SOUND ATTENUATOR VENT

- ❖ Sound attenuating ventilator available in a number of combinations to suit different acoustic specifications
- ❖ 2500mm² EA and 5000mm² EA (Equivalent Area) versions available
- ❖ Suitable for use in domestic or non-domestic installations
- ❖ Ideal for retrofit applications, over an existing slot.
- ❖ High performance gasket combined with compression closing action improves sealing in adverse conditions
- ❖ Can be mounted to deflect air upwards or downwards
- ❖ For use over a 13mm slot
- ❖ It is strongly advised to add additional frame extenders to the head of the window frame to allow for plaster lines etc.



Product	Product Code	(L) Length	(W) Width	(P) Projection Closed-Open	Free Area (mm ²)	Slot Detail
SF Xtra 2500EA vent only	TA5220	425	28	10-24	4207	
SF 418 Canopy only	TA5005	418	23	27	5114	
SF Xtra Sound Attenuator 2500EA vent 25mm	TA5221	464	35	37-51	3470	
SF Sound Attenuator 2500EA canopy 25mm	TA5202	464	35	54	3470	173.5 20 173.5
SF Xtra Sound Attenuator 2500EA vent 50mm	TA5223	464	35	62-76	3470	13
SF Sound Attenuator 2500EA canopy 50mm	TA5204	464	35	79	3470	
SF Xtra Sound Attenuator 2500EA vent 75mm	TA5225	464	35	87-101	3470	
SF Sound Attenuator 2500EA canopy 75mm	TA5206	464	35	104	3470	
SF Xtra Sound Attenuator 5000EA Vent 75mm	TA5235	523	35	87-101	5517	215 8 215
SF Sound Attenuator 5000EA Canopy 75mm	TA5236	523	35	113.5	5517	13

Acoustic ratings

Product	Open	Closed	EA (mm ²)
V75 + C75 (2500EA)	D _{n,e,w} (C;Ctr) = 44 (-2;-3)dB	D _{n,e,w} (C;Ctr) = 55 (-1;-5)dB	2500
V75 + C50 (2500EA)	D _{n,e,w} (C;Ctr) = 42 (-1;-2)dB	D _{n,e,w} (C;Ctr) = 55 (-2;-5)dB	2500
V75 + standard canopy (2500EA)	D _{n,e,w} (C;Ctr) = 40 (-1;-2)dB	D _{n,e,w} (C;Ctr) = 53 (-1;-4)dB	2500
V50 + C25 (2500EA)	D _{n,e,w} (C;Ctr) = 39 (-1;-2)dB	D _{n,e,w} (C;Ctr) = 55 (-2;-5)dB	2500
V50 + standard canopy (2500EA)	D _{n,e,w} (C;Ctr) = 38 (-1;-2)dB	D _{n,e,w} (C;Ctr) = 55 (-2;-5)dB	2500
V25 + C25 (2500EA)	D _{n,e,w} (C;Ctr) = 36 (0;-2)dB	D _{n,e,w} (C;Ctr) = 55 (-1;-5)dB	2500
V25 + standard canopy (2500EA)	D _{n,e,w} (C;Ctr) = 35 (0;-1)dB	D _{n,e,w} (C;Ctr) = 54 (-1;-4)dB	2500
Standard vent + C25 (2500EA)	D _{n,e,w} (C;Ctr) = 35 (0;-1)dB	D _{n,e,w} (C;Ctr) = 55 (1;-5)dB	2500
Standard vent + standard SF canopy (2500EA)	D _{n,e,w} (C;Ctr) = 32 (1;0)dB	D _{n,e,w} (C;Ctr) = 52 (-2;-4)dB	2500
V75 + C75 (Hi Spec Foam) (5000EA)	D _{n,e,w} (C;Ctr) = 40 (-2;-3)dB	D _{n,e,w} (C;Ctr) = 51 (-1;-4)dB	5000

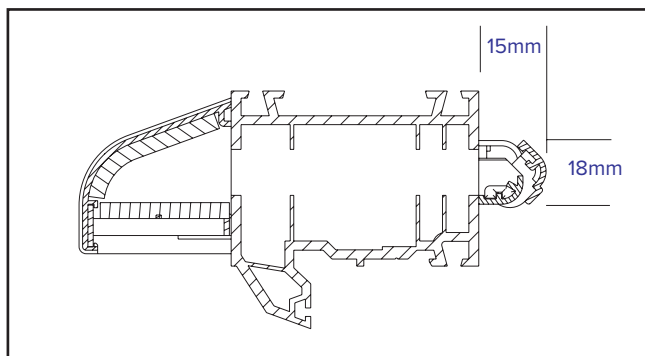
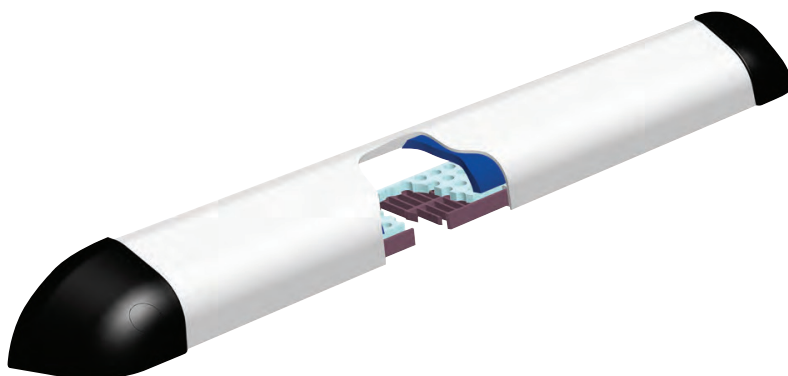
For further assistance, call 01702 899440

www.alu-tec.co.uk

Fletchers Square, Temple Farm Industrial Estate, Southend-on-Sea, Essex SS2 5RN

SIMON ACOUSTIC SL (SLIMLINE) VENT

- ❖ Manufactured from aluminium.
- ❖ 2500mm² Equivalent Area. 4080mm² Measured Area.
- ❖ Suitable for use in domestic or non-domestic installations
- ❖ Achieves sound reduction of 39dB closed and 33dB open
- ❖ Document F and Document E Building Regulation compliant.
- ❖ Can fit into sash profile



	dB Closed	dB Open	EA to BS13141-1	Measured Area ^{mm2}	Dimensions Int	Dimensions Ext	Slot Size
Simon Acoustic SL	39	33	2967	4080	375 x 18	431 x 45	340 x 12

For further assistance, call 01702 899440

www.alu-tec.co.uk

Fletchers Square, Temple Farm Industrial Estate, Southend-on-Sea, Essex SS2 5RN