



PANIC & EMERGENCY EXIT DOORS

Inside:

- Strand Face Fit Panic Bar
- Strand Face Fit Panic Pad
- Fuhr Concealed Panic Bar Locks - Master & Slave
- Outside Access Kit for Face Fitting & Concealed Panic Bars

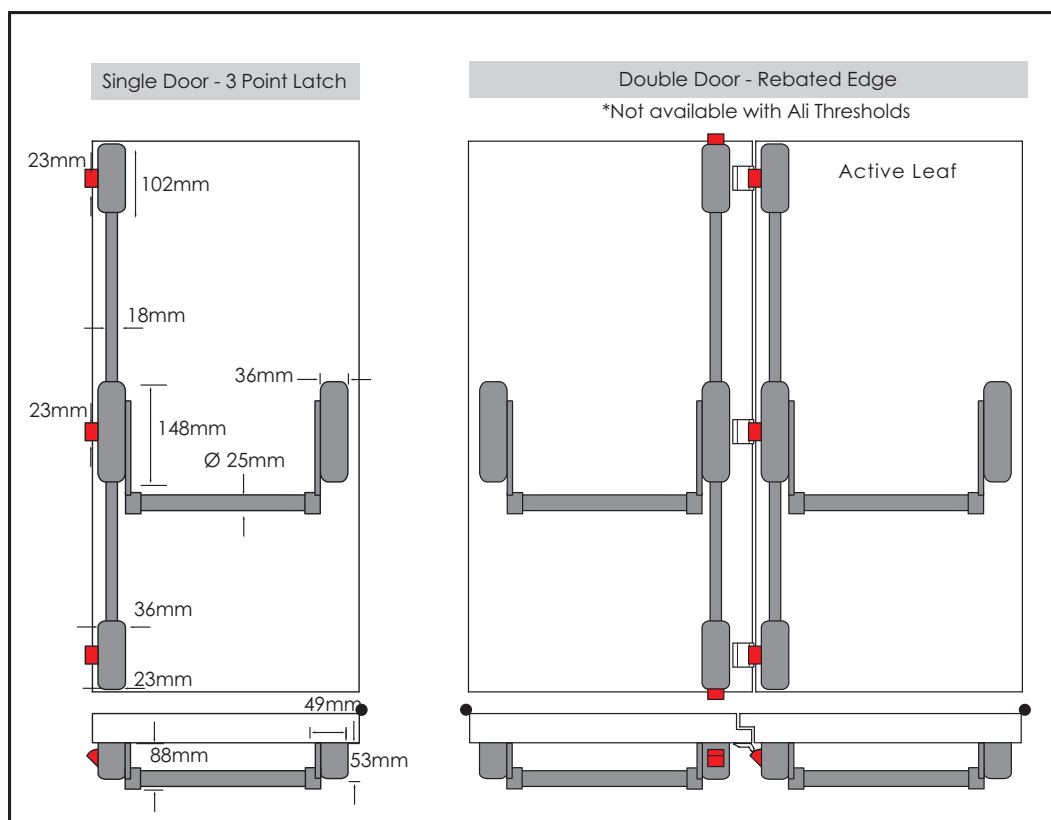
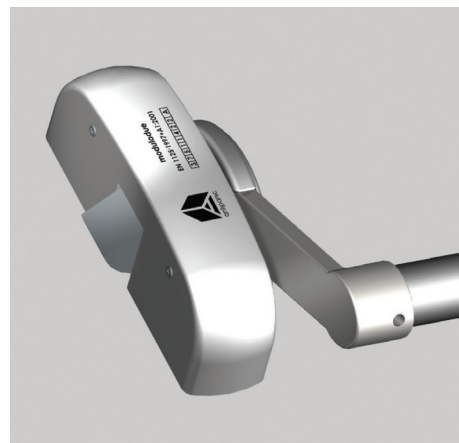
For further assistance, call 01702 899440

www.alu-tec.co.uk

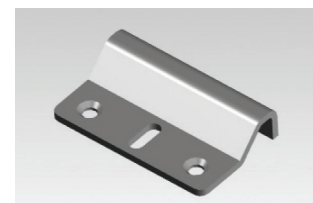
Fletchers Square, Temple Farm Industrial Estate, Southend-on-Sea, Essex SS2 5RN

STRAND FACE FIT PANIC BAR

- Manufactured primarily from steel pressings, with stainless steel latch bolts and zinc alloy cross arm bracket
- Tested and certified to BS EN 1125:1997 including amendment 1:2001
- CE Marked and include classification number
- All devices can be converted from left hand to right hand.
- Standard devices suit doors up to 2650mm high by 1050mm wide; for wider doors the range includes cross arms of 1150mm or 1450mm. Vertical rods are available to suit doors up to 3150mm high.
- Entirely surface mounted except where outside access function is required
- Silver



Standard Keep



Floor Keep for Ali Threshold



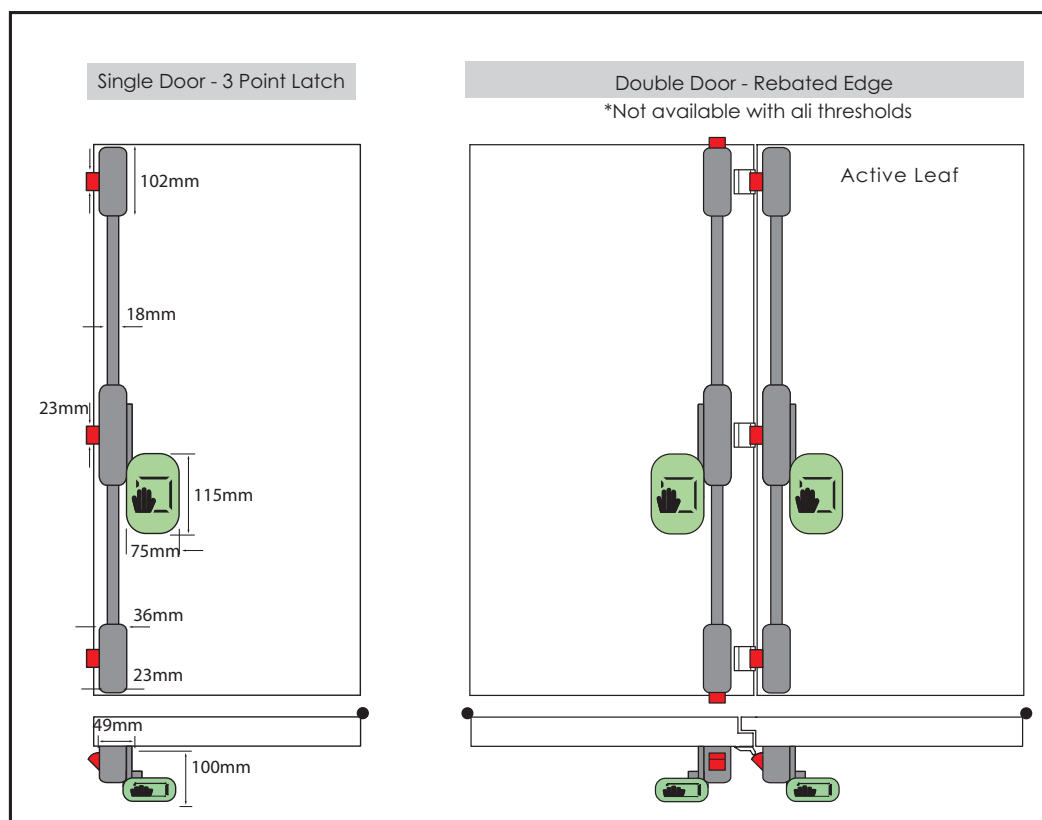
For further assistance, call 01702 899440

www.alu-tec.co.uk

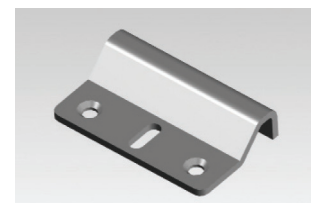
Fletchers Square, Temple Farm Industrial Estate, Southend-on-Sea, Essex SS2 5RN

STRAND FACE FIT PANIC PAD

- Manufactured primarily from steel pressings, with stainless steel latch bolts and zinc alloy cross arm bracket
- Tested and certified to BS EN 179:1998 including amendment 1:2001
- CE Marked and include classification number
- All devices can be converted from left hand to right hand.
- To suit doors up to 2650mm high: Extra long vertical rods are available for doors up to 3150mm high
- Entirely surface mounted except where outside access function is required
- Finishes available - Silver



Standard Keep



Floor Keep for Ali Threshold

For further assistance, call 01702 899440

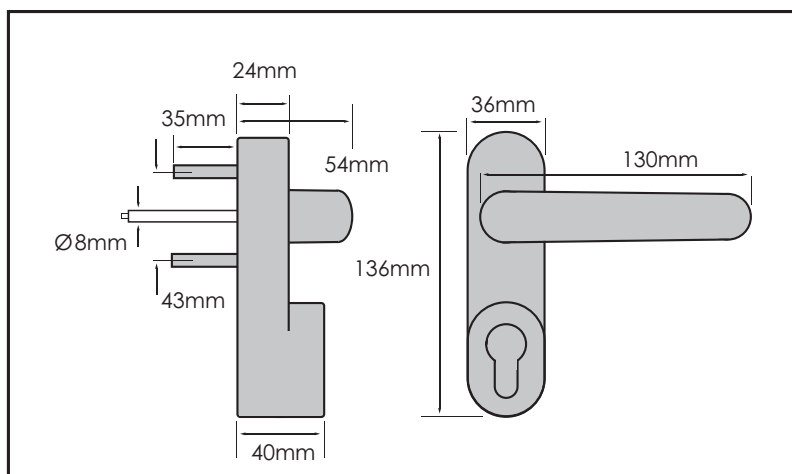
www.alu-tec.co.uk

Fletchers Square, Temple Farm Industrial Estate, Southend-on-Sea, Essex SS2 5RN

OUTSIDE ACCESS KIT FOR FACE FITTING & CONCEALED PANIC BAR

FACE FITTING PANIC BAR - OUTSIDE ACCESS KIT

- Optional outside access device with lever handle
- Once cylinder is unlocked from the outside, the door works like a standard Lever/Lever until cylinder is locked again from the outside.
- Only available in silver
- Supplied with a standard keyed 30/10 half cylinder



For further assistance, call 01702 899440

www.alu-tec.co.uk

Fletchers Square, Temple Farm Industrial Estate, Southend-on-Sea, Essex SS2 5RN