



HINGE GUARDS

Inside:

- Standard Hinge Guard - GreenteQ Delta
- Securistyle Vector Excluder Hinge Guard

For further assistance, call 01702 899440

www.alu-tec.co.uk

Fletchers Square, Temple Farm Industrial Estate, Southend-on-Sea, Essex SS2 5RN

STANDARD HINGE GUARD - GREENTEQ DELTA

Friction stay security devices provide excellent resistance to forced entry. With one half fitted in the friction stay groove on the sash and another fitted opposite on the frame (in both hinged corners), the components inter-lock if jemmying of the hinge side of a window is attempted.

- ❖ Suitable for Rehau and Calibre casement windows & Deceuninck Flush windows
- ❖ Extra security for windows
- ❖ Provides resistance to forced entry on the hinge side of the window
- ❖ Retro-fitting to existing windows provides cost effective solution to increasing existing levels of security
- ❖ The two component parts are designed to not contact each other during the operation of the windows, and do so not inhibit its operation.



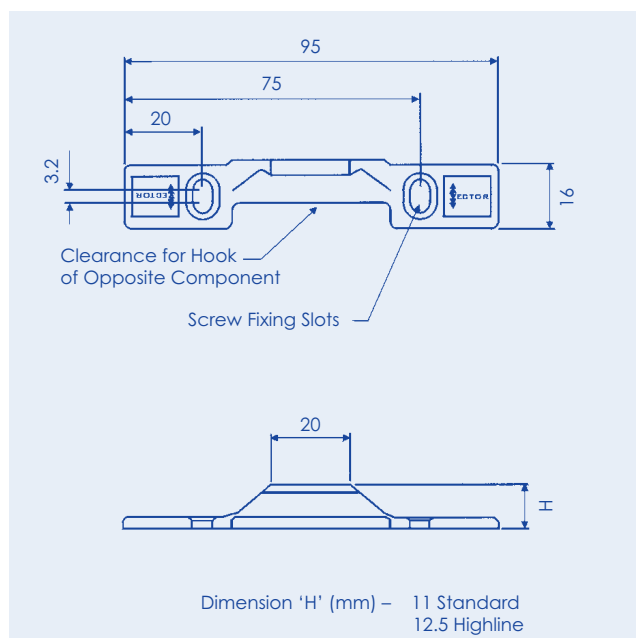
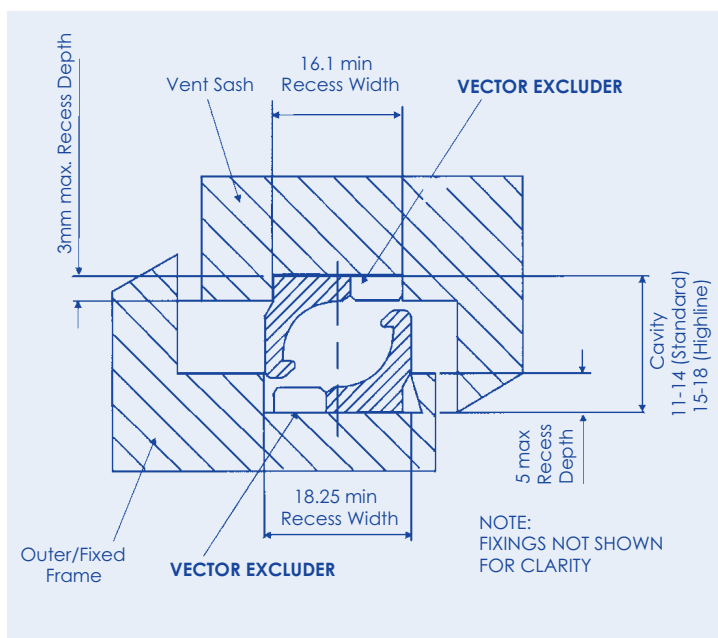
For further assistance, call 01702 899440

www.alu-tec.co.uk

Fletchers Square, Temple Farm Industrial Estate, Southend-on-Sea, Essex SS2 5RN

SECURISTYLE VECTOR EXCLUDER HINGE GUARD

- ❖ Suitable for Rehau and Calibre casement windows
- ❖ Extra security for windows
- ❖ Can be fitted in conjunction with most friction hinges (including Egress)
- ❖ Provides resistance to forced entry on the hinge side of the window
- ❖ Retro-fitting to existing windows provides cost effective solution to increasing existing levels of security
- ❖ The two component parts are designed to not contact each other during the operation of the windows, and do so not inhibit its operation.
- ❖ Manufactured from Diecast Zinc Alloy, plated and passivated to satisfy 500 hours neutral spray test.



For further assistance, call 01702 899440

www.alu-tec.co.uk

Fletchers Square, Temple Farm Industrial Estate, Southend-on-Sea, Essex SS2 5RN