



CASEMENT WINDOW HANDLES - VARIOUS

Inside:

- Alpha Standard Casement Window Handles
- Traditional Styled Casement Window Handles (Monkey Tail and Pear Drop)
- Tilt & Turn Window Handles

For further assistance, call 01702 899440

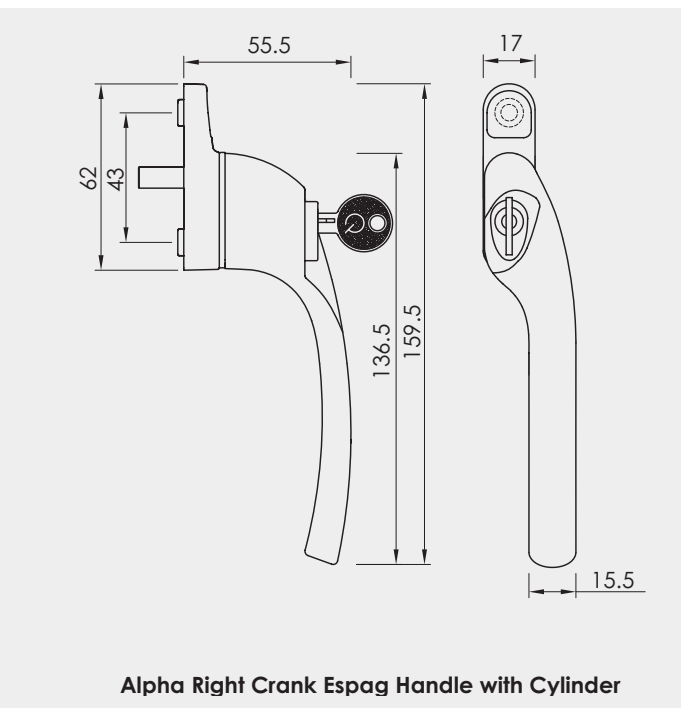
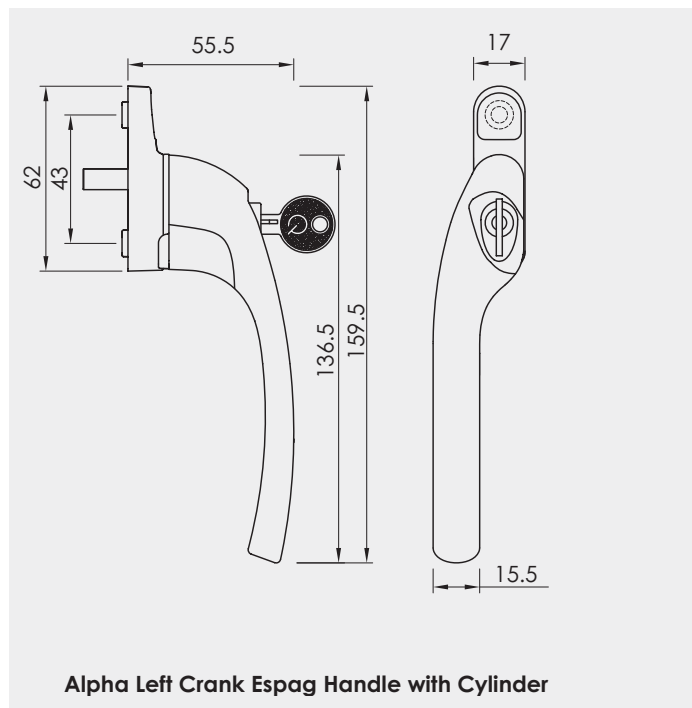
www.alu-tec.co.uk

Fletchers Square, Temple Farm Industrial Estate, Southend-on-Sea, Essex SS2 5RN

ALPHA CASEMENT WINDOW HANDLE

The Alpha casement window handle is a premium quality push to open handle, which complements the door furniture also available in the Alpha range.

- Sleek and stylish handle grip.
- 90° stop/click location washer
- Finishes available - white, black, satin, polished chrome, PVD gold finishes.
- Colour co-ordinated screw cover caps



For further assistance, call 01702 899440

www.alu-tec.co.uk

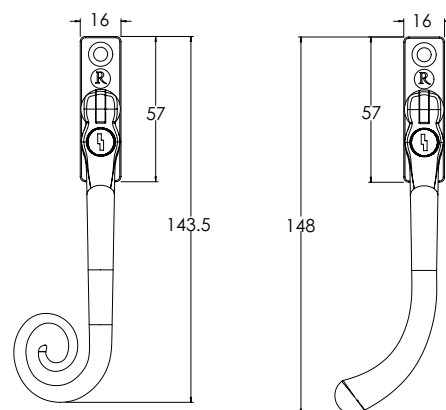
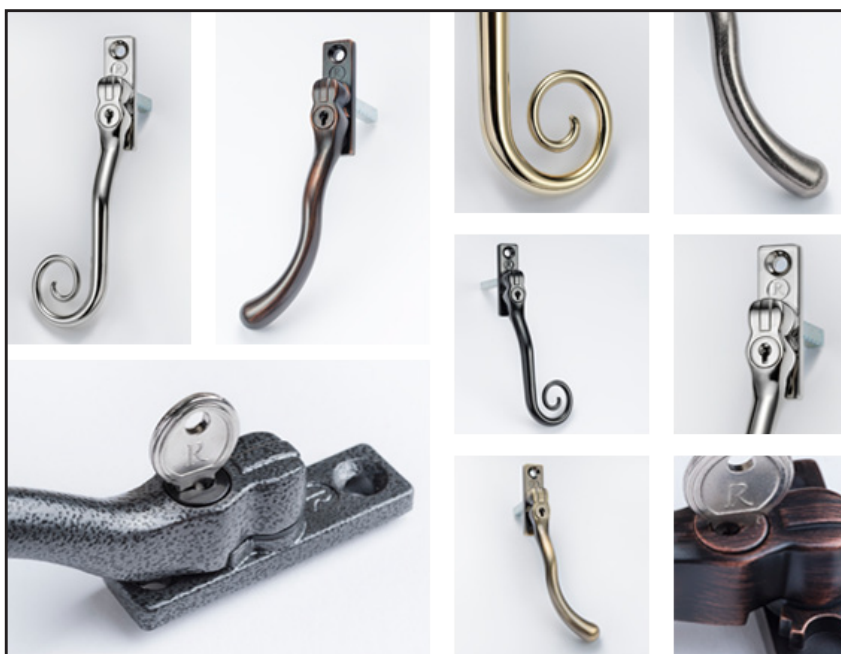
Fletchers Square, Temple Farm Industrial Estate, Southend-on-Sea, Essex SS2 5RN

TRADITIONAL STYLED CASEMENT WINDOW HANDLES

The Romatopola Collection features an authentic range of traditional and contemporary hardware.

The key locking Monkey Tail and Pear Drop handles are perfect for both period and contemporary windows.

ROMATOPOLA



- Key locking with key retention for extra security
- Positive stop to prevent over-stressing
- Spindle lengths: 15mm or 40mm
- Available in nine classic colours:
Black, White, Antique Bronze,
Satin Chrome, Polished Chrome, Electro Gold, Bronze Red Tint, Pewter Patina, Graphite

For further assistance, call 01702 899440

www.alu-tec.co.uk

Fletchers Square, Temple Farm Industrial Estate, Southend-on-Sea, Essex SS2 5RN

TILT & TURN WINDOW HANDLES

- Ultra modern handle design.
- Distinctive grip with radius edges to the backplate providing a softer style.
- Manufactured from high quality aluminium.
- For use with tilt and turn, and tilt before turn mechanisms.
- Choice of locking and non-locking options.
- 32mm length spindle.
- Available in white powder coated, chrome, anodised gold and silver finishes.

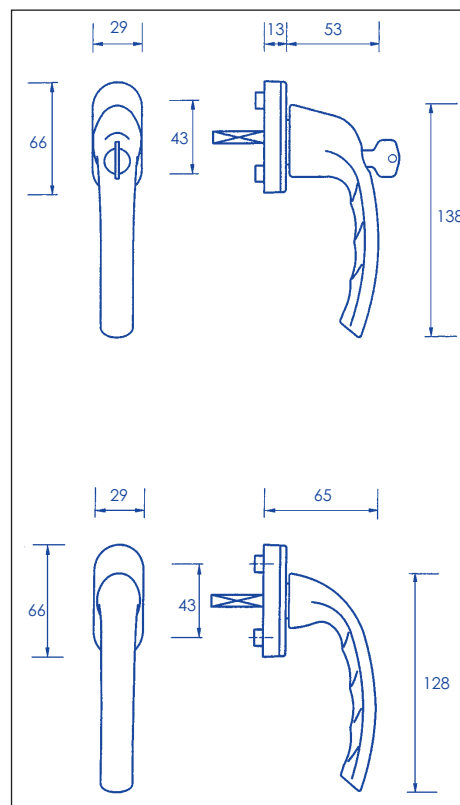


TECHNICAL INFORMATION

- ❖ Corrosion Resistance - Meets the requirements of BS EN 1670:1988
- ❖ Operation - Cycle Tested

MATERIAL SPECIFICATION

- ❖ Handle Grip and Back Plate - Cast aluminium grip and cover plate
- ❖ Coatings - Gold F3, Silver F1, White - powder coated RAL9010-UV
- ❖ Cylinder - Nickel Plated
- ❖ Spindle - Mild steel, yellow passivated, 7mm square



For further assistance, call 01702 899440

www.alu-tec.co.uk

Fletchers Square, Temple Farm Industrial Estate, Southend-on-Sea, Essex SS2 5RN