



## CASEMENT WINDOW HANDLES - VARIOUS

### Inside:

- Alpha Standard Casement Window Handles
- Traditional Styled Casement Window Handles (Monkey Tail and Pear Drop)
- Tilt & Turn Window Handles

**For further assistance, call 01702 899440**

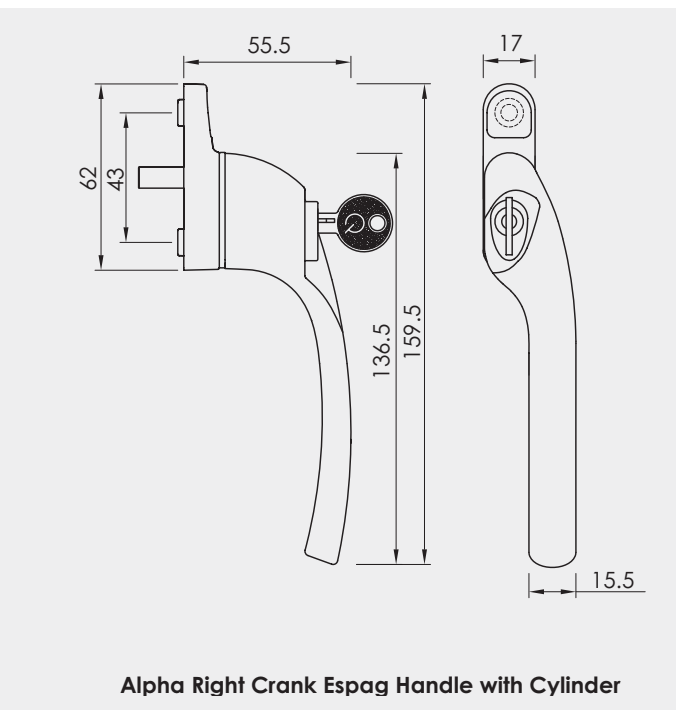
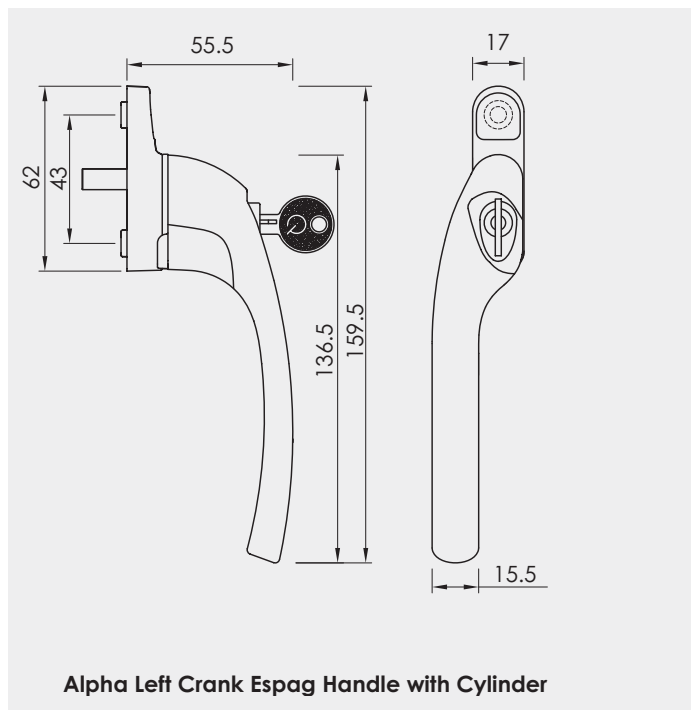
**[www.alu-tec.co.uk](http://www.alu-tec.co.uk)**

Fletchers Square, Temple Farm Industrial Estate, Southend-on-Sea, Essex SS2 5RN

### ALPHA CASEMENT WINDOW HANDLE

The Alpha casement window handle is a premium quality push to open handle, which complements the door furniture also available in the Alpha range.

- Sleek and stylish handle grip.
- 90° stop/click location washer
- Finishes available - white, black, satin, polished chrome, PVD gold and Enduro steel finishes.
- Colour co-ordinated screw cover caps



For further assistance, call 01702 899440

[www.alu-tec.co.uk](http://www.alu-tec.co.uk)

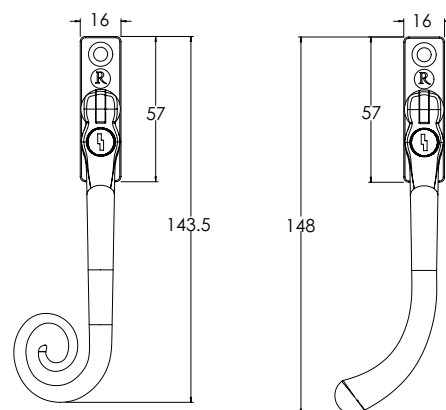
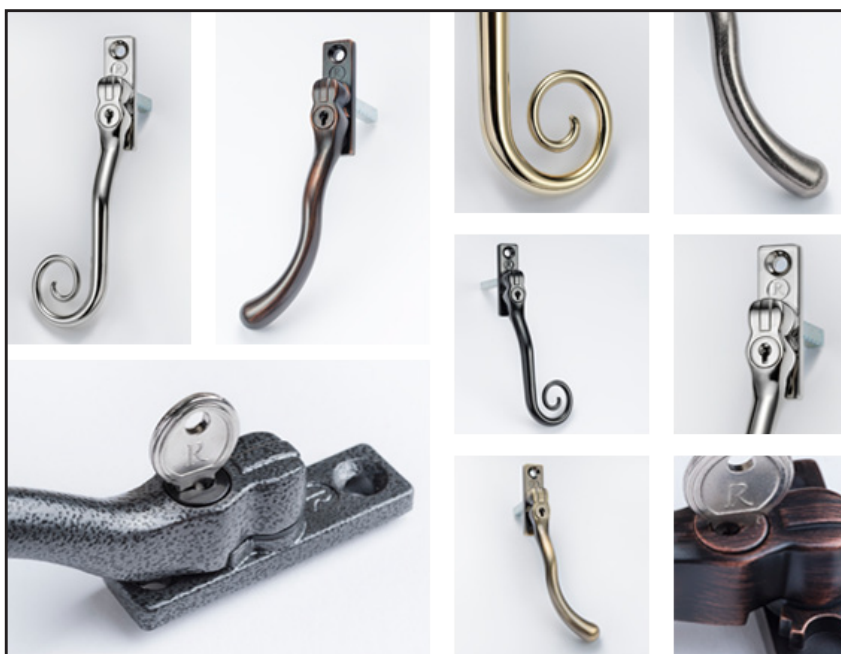
Fletchers Square, Temple Farm Industrial Estate, Southend-on-Sea, Essex SS2 5RN

## TRADITIONAL STYLED CASEMENT WINDOW HANDLES

The Romatopola Collection features an authentic range of traditional and contemporary hardware.

The key locking Monkey Tail and Pear Drop handles are perfect for both period and contemporary windows.

# ROMATOPOLA



- Key locking with key retention for extra security
- Positive stop to prevent over-stressing
- Spindle lengths: 15mm or 40mm
- Available in nine classic colours:  
Black, White, Antique Bronze,  
Satin Chrome, Polished Chrome, Electro Gold, Bronze Red Tint, Pewter Patina, Graphite

**For further assistance, call 01702 899440**

[www.alu-tec.co.uk](http://www.alu-tec.co.uk)

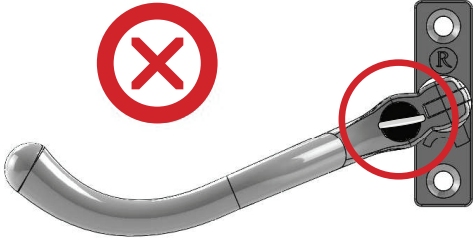
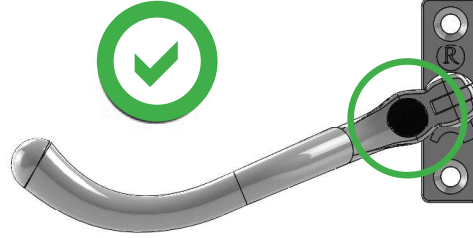
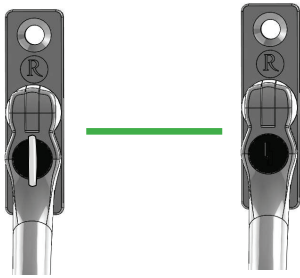
Fletchers Square, Temple Farm Industrial Estate, Southend-on-Sea, Essex SS2 5RN

## Standard Monkey Tail and Pear Drop Window Handles

### Instructions for use & maintenance

#### How to keep your window handles working smoothly for longer

We recommend that once you have locked or unlocked your windows you remove the key before operation of the handle. By leaving the key in, even a slight rotation of the key could hinder operation, as seen in the diagram below.

	<p>We recommend the key is removed before operation of the handle. If the key is left in and not inline with the handle, the operation will be forced and may damage the locking mechanism.</p> <p><b>DO NOT</b> force the handle if the key is still present or tension is felt during normal operation.</p>
	<ul style="list-style-type: none"> <li>- To lock the handle, rotate the key 180° clockwise to its furthest point.</li> <li>- To unlock the handle, rotate the key 180° anti-clockwise to its furthest point.</li> </ul>
	<p>When locked be sure to rotate the key a full 180° anti-clockwise and remove the key before attempting to operate the handle and open your windows.</p> <p>By following these simple guidelines, your handles will open and close easily and last longer.</p>

#### Maintenance Instructions

To retain the highest corrosion resistance it is necessary to keep the surfaces clean. This can be done by wiping with a clean cloth using warm clean water and drying with a soft cloth.

- Do not use abrasive, chemical or brass cleaners, wire brushes, scrubbers and wire wool etc.
- Do keep clean and free from dirty deposits which may attack the finish.
- Avoid contact with sharp objects which may cut into the finish.

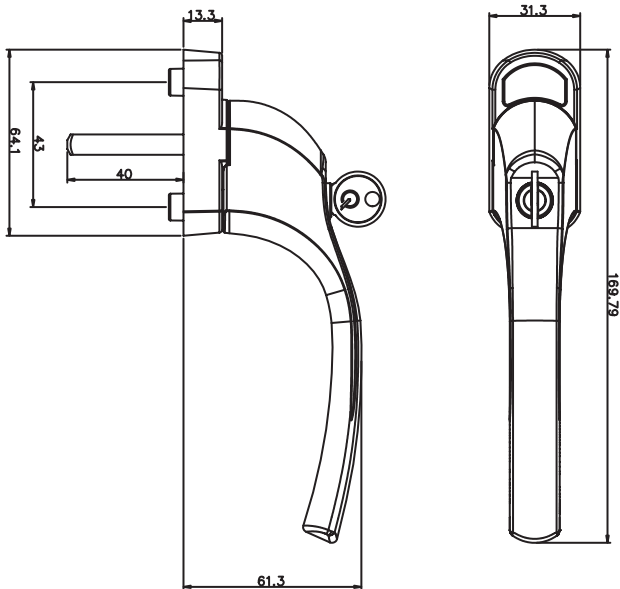
**For further assistance, call 01702 899440**

[www.alu-tec.co.uk](http://www.alu-tec.co.uk)

Fletchers Square, Temple Farm Industrial Estate, Southend-on-Sea, Essex SS2 5RN

## TILT & TURN WINDOW HANDLES

- Ultra modern handle design.
- Distinctive grip with radius edges to the backplate providing a softer style.
- Premium quality handle that features the same feel and appearance of the Alpha door handle
- For use with tilt and turn, and tilt before turn mechanisms.
- 40mm length spindle.
- Available in white, polished chrome, gold and satin finishes. Black handles are available but minimum orders apply.



**For further assistance, call 01702 899440**

[www.alu-tec.co.uk](http://www.alu-tec.co.uk)

Fletchers Square, Temple Farm Industrial Estate, Southend-on-Sea, Essex SS2 5RN